

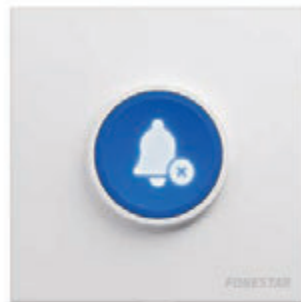
CALL-HELP, CALL-CENTRAL

ASSISTANCE CALL KIT

KIT D'APPEL D'ASSISTANCE

KIT DE LLAMADA DE ASISTENCIA

KIT DE CHAMADA DE ASSISTÊNCIA



INSTRUCTION MANUAL/MANUAL DE USUARIO/
MODE D'EMPLOI/MANUAL DE INSTRUÇÕES

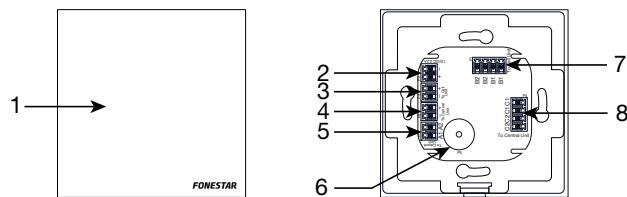
FONESTAR

DESCRIPTION

- The **CALL-HELP** system consists of 3 devices: caller, lamp and canceller. This kit makes it possible to equip a toilet or changing room with an assistance system and thus comply with the technical building code CTE - BD SUA 3.1.2. The regulation is mandatory for new construction and renovation of public service facilities.
- Allows an assistance call to be made from inside the room (room, changing room, bathroom, etc.). The call shall be received externally by means of acoustic and light signals warning of the need for assistance. Finally, when the assistance is provided, the warning must be cancelled from the cancellation device.
- In addition, FONESTAR has designed a **CALL-CENTRAL** device to control the assistance calls of up to 6 **CALL-HELP** kits. When a call for assistance is made, it shall receive, by means of acoustic and light signals, which zone is requesting assistance.

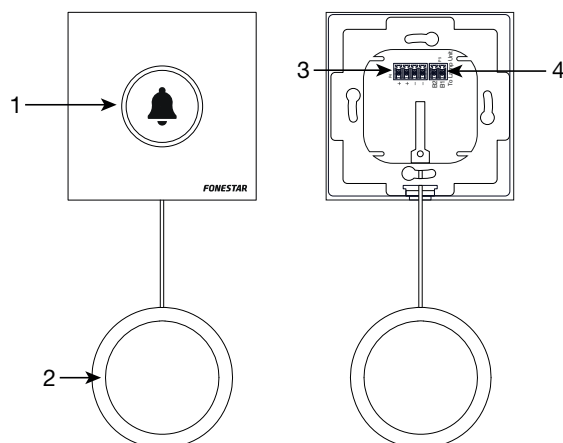
CONTRLS AND FUNCTIONS

CALL-HELP - LAMP



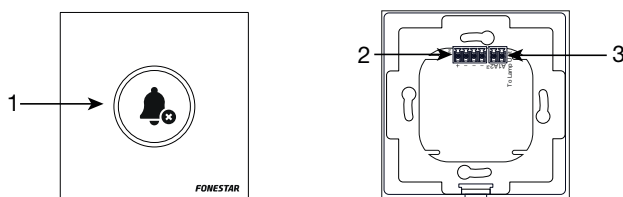
- 1.- Active assistance call indicator light.
- 2.- **12 V DC 0.2 A, +/-**: connection pins for power supply via the supplied transformer. Euroblock connector.
- 3.- **To Call Unit, +/-**: connection pins for power supply of the CALLER device. Euroblock connector.
- 4.- **To Cancel Unit, +/-**: connection pins for power supply of the CANCELLER device. Euroblock connector.
- 5.- **To Cancel Unit, A1/ A2**: communication pins for the CANCELLER device. Euroblock connector.
- 6.- Buzzer.
- 7.- **To Call Unit, B1/B2**: communication pins with the CALLER device. Euroblock connector.
- 8.- **To Central Unit, C1/C2**: communication pins with the CENTRAL **CALL-CENTRAL** device. Euroblock connector.

CALL-HELP - CALLER



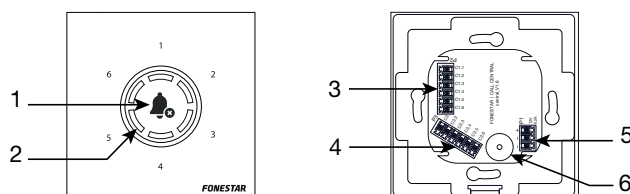
- 1.- Button for assistance call activation.
- 2.- Pull cord for assistance call activation.
- 3.- **To Lamp Unit, +/-**: connection pins for power supply from the LAMP device. Euroblock connector.
- 4.- **To Lamp Unit, B1/B2**: communication pins with the LAMP device. Euroblock connector.

CALL-HELP - CANCELLER



- 1.- Button for the cancellation of the active assistance call associated with that push button.
- 2.- **To Lamp Unit, +/-**: connection pins for power supply from the LAMP device. Euroblock connector.
- 3.- **To Lamp Unit, A1/A2**: communication pins with the LAMP device. Euroblock connector.

CALL-CENTRAL - CENTRAL



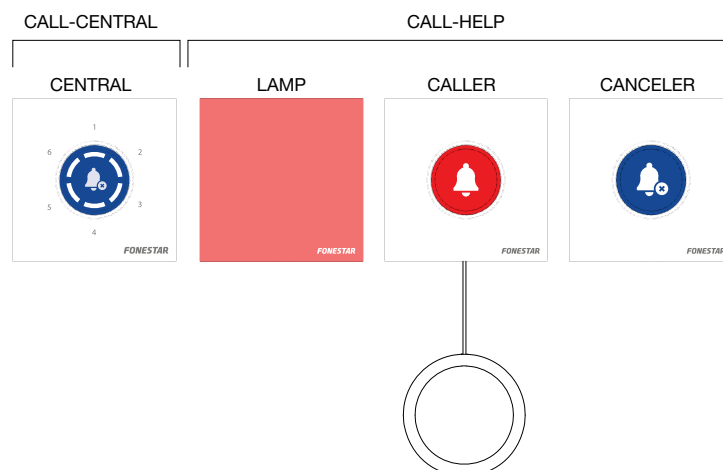
- 1.- Button to temporarily mute the warning and indicate that assistance is on its way.
- 2.- Indicator light of the zone(s) with active call(s) for assistance.
- 3.- **C1.1-6**: communication pins with the LAMP devices of each zone through their C1 pins. Euroblock connector.
- 4.- **C2.1-6**: communication pins with the LAMP devices of each zone through their C2 pins. Euroblock connector.
- 5.- **12 V 0.2 A, +/-**: connection pins for power supply via the supplied transformer. Euroblock connector.
- 6.- Buzzer.

OPERATION

The **CALL-HELP** kit consists of 3 devices, allows the creation of a complete warning system in which the lamp will be the central unit of the system and the other 2 elements allow the call to be generated and the call to be cancelled. Additionally, a second call unit may be connected in the same way as the first call unit is connected.

In addition, if you use more than one **CALL-HELP** you can add 1 or 2 **CALL-CENTRAL** units that will allow you to centralise the status of up to 6 **CALL-HELP** kits simultaneously.

NOTE: The CANCELLER device shall be placed in the same location as the CALLER device but far enough away from the CALLER device to prevent erroneous cancellation of the announcement.



Operation of 1 CALL-HELP kit

- 1.- The assistance call is initiated by pressing the button or by means of the CALLER device pull cord.
- 2.- When the call is active, an audible and visual warning is generated on the LAMP device.
- 3.- The person coming to give assistance shall press the button on the CANCELLER device to stop the audible and visual warnings.

Operation of CALL-CENTRAL and various CALL-HELP kits (1 active call)

- 1.- The call for assistance is initiated by pressing the button or by using the CALLER device pull cord on one of the zones.
- 2.- When the call is active, audible and visual warnings are generated on the LAMP and CENTRAL devices. The latter, by means of the indicator light, will be able to identify which zone is requesting assistance.
- 3.- (Optional) Pressing the button on the CENTRAL device will silence the audible warning on the control panel and on the LAMP device its audible warning will sound at a slower rate, indicating to the person requesting assistance that help is on the way.

NOTE: if after 3 minutes the call has not been cancelled from the CANCELLER device of the corresponding zone, the announcement shall start again generating the audible and visual warnings of the first point.

- 4.- The person coming to give assistance shall press the button on the CANCELLER device to stop the audible and visual warnings.

Operation of CALL-CENTRAL and various CALL-HELP kits (multiple active calls)

- 1.- The assistance call is initiated by pressing the button or by means of the CALLER device pull cord. In this case, there are several zones with active calls at the same time.
- 2.- When the call is active, audible and visual warnings are generated on the LAMP and CENTRAL devices. The latter, by means of the indicator light, will be able to identify which zone is requesting assistance.
- 3.- (Optional) Pressing the button on the CENTRAL device will silence the audible warning on the control panel and on the LAMP device its audible warning will sound at a slower rate, indicating to the person requesting assistance that help is on the way.

NOTE: if after 3 minutes the call has not been cancelled from the CANCELLER device of the corresponding zone, the announcement shall start again generating the audible and visual warnings of the first point.

NOTE: if there are more CENTRAL devices in the installation, they shall all operate in the same way. Interactions in one of them will affect the rest of the CENTRAL devices in the installation.

- 4.- The person coming to give assistance shall press the button on the CANCELLER device to stop the audible and visual warnings. However, all other active warnings shall be reset by restarting the audible and visual alarms from step 2.
- 5.- The alerts shall then be answered as indicated in steps 3 (optional) and 4 until there are no active calls for assistance.

INSTALLATION AND CONNECTION

WIRING

POWER WIRING

IMPORTANT

- Pay special attention when connecting the polarity of the power supply as a cross connection of + to - or vice versa will render the device unusable
- The negative power supply pin (-) must be interconnected between the different devices CENTRAL and LAMP

Both the **CALL-HELP** and **CALL-CENTRAL** kit devices require to be powered by the transformer supplied with each device. In the case of the **CALL-HELP** kit, it will be the LAMP device that will be connected directly to the transformer and will distribute the power supply to the rest of the devices in the kit via the + and - pins. Observe the polarity indicated on each device.

NOTE: the **CALL-HELP** kit can be used with 2 CALLER units. It shall be powered through the + and - pins of the first CALLER or LAMP device.

NOTE: it is possible to use 2 **CALL-CENTRAL** units to control the same zones. It will be powered by its own transformer.

- The transformer is connected via the AC(N) (neutral) and AC(L) (line) ports to the 230 V AC mains supply.
- At the other end of the transformer, +Vo and -Vo ports, connect the LAMP or CENTRAL devices to the respective + and - terminals.

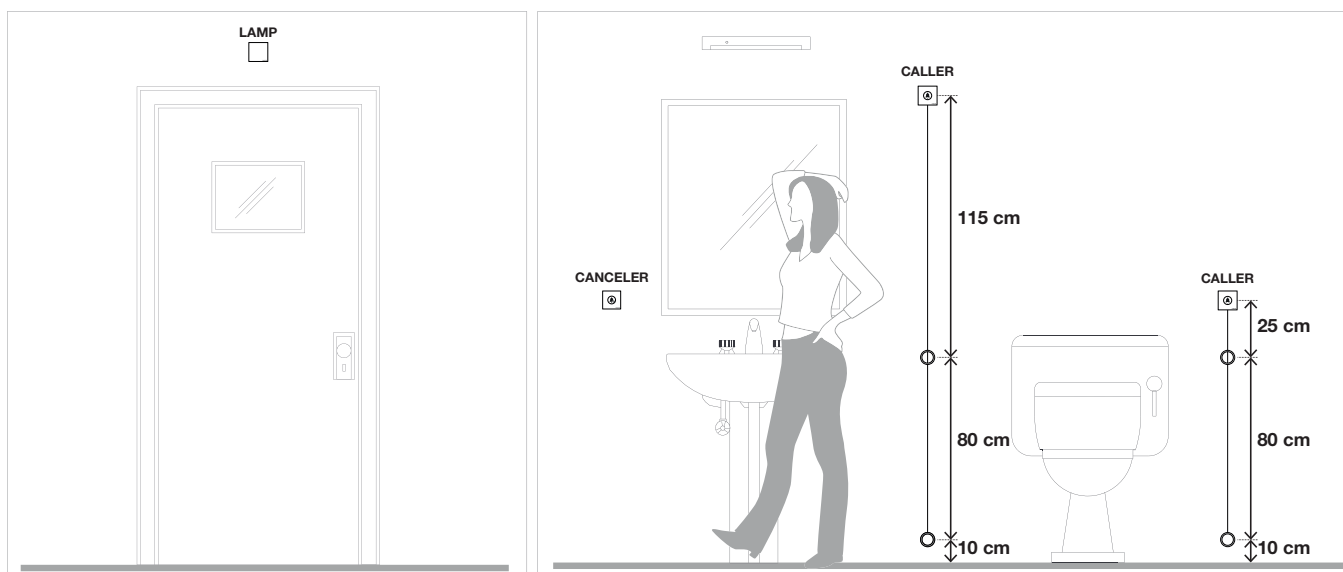
COMMUNICATION WIRING BETWEEN DEVICES

- Maximum cable length:
 - Between CENTRAL and LAMP: 1,000 metres maximum.
 - Between LAMP and CANCELLER/CALLER: 20 metres maximum.
- The recommended cable type is 4 x 0.5 mm².

NOTE: the **CALL-HELP** kit can be used with 2 CALLER units. It shall communicate through pins B1 and B2 of the first CALLER or LAMP device.

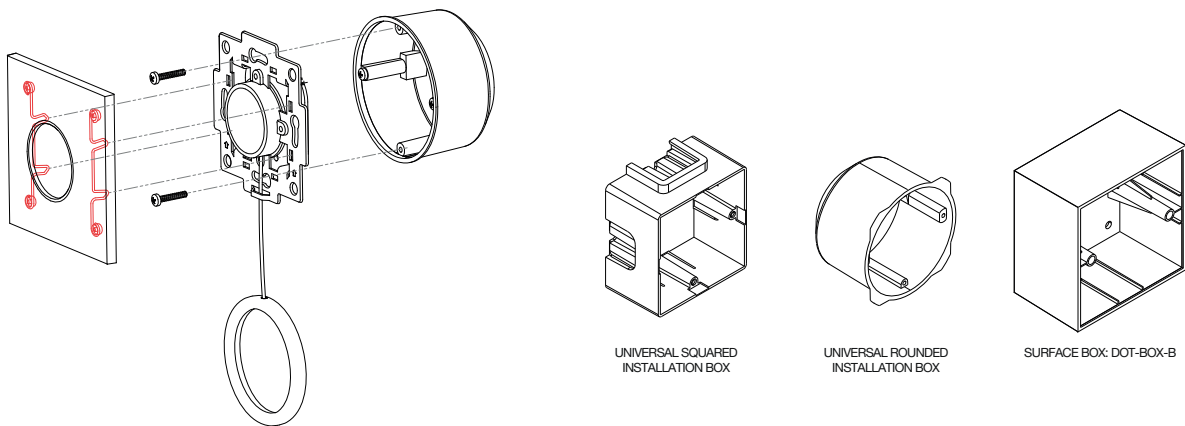
NOTE: it is possible to use 2 **CALL-CENTRAL** units to control the same zones. It shall communicate through pins C of the first CENTRAL device or by doubling the wiring to the LAMP devices in each zone.

INSTALLATION



ON WALL

- All devices are designed to be installed in universal square or round flush-mounted boxes or in FONESTAR **DOT-BOX-B** surface-mounted boxes.
- It is recommended to install:
 - CALLER and CANCELLER between 1.5 and 2.2 m from the ground. In addition, the CANCELLING device shall be placed in the same location as the CALLING device but far enough away from the CALLING device to prevent accidental cancellation of the warning.
 - LAMP and CENTRAL shall be placed in a clearly visible location.
- To install the devices on the wall:
 - Fit the euroblock connectors on the cables in the polarity indicated on the silkscreen.
 - Pull the front panel away from the metal installation plate.
 - Attach the metal installation plate to the wall-mounted box using the screws on the wall.
 - Replace the front panel in the proper position, the logo in the lower right corner, and match the metal hooks on the cover with the holes in the metal installation plate by pressing.



INSTALLATION OF CALLER PULL CORD WASHERS

Regulations dictate that 2 CORDS must be placed at different heights. The bottom cord must be positioned 10 cm above the floor, according to the standard. For the cord in the highest position, we recommend that it is 90 cm above the floor.

Depending on where the device is installed on the wall, the washers must be positioned in different positions on the cable. To do this, place washer 1 on the highest part of the cable, tie a firm knot in the desired position and then slide the washer to that position. Then slide washer 2 up to washer 1 and tie a firm knot in the cable so that washer 2 is 10 cm above the ground. Finally, cut off the excess wire and burn the end of the wire with a flame to prevent it from fraying.

CONNECTION

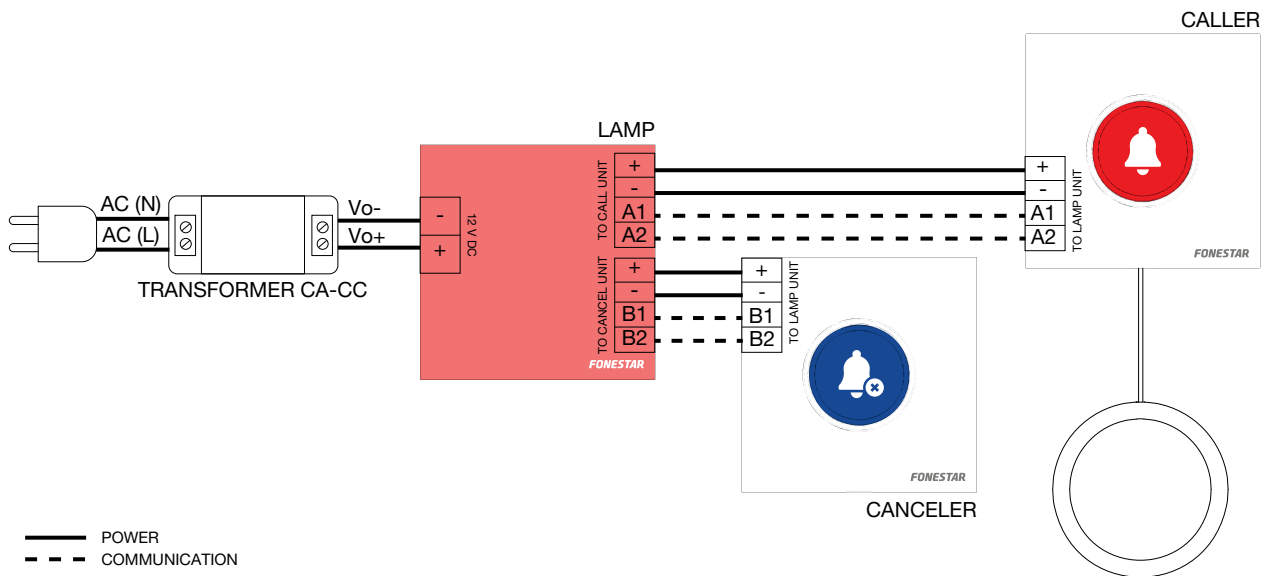
IMPORTANT:

- All LAMP and CENTRAL devices in the system shall be connected to the same ground.
- Use the orange euroblock connectors for the power supply terminals and the green ones for communication.
- Before connecting the system to the power supply, check that all devices have the correct power supply polarity connected.

CALL-HELP KIT

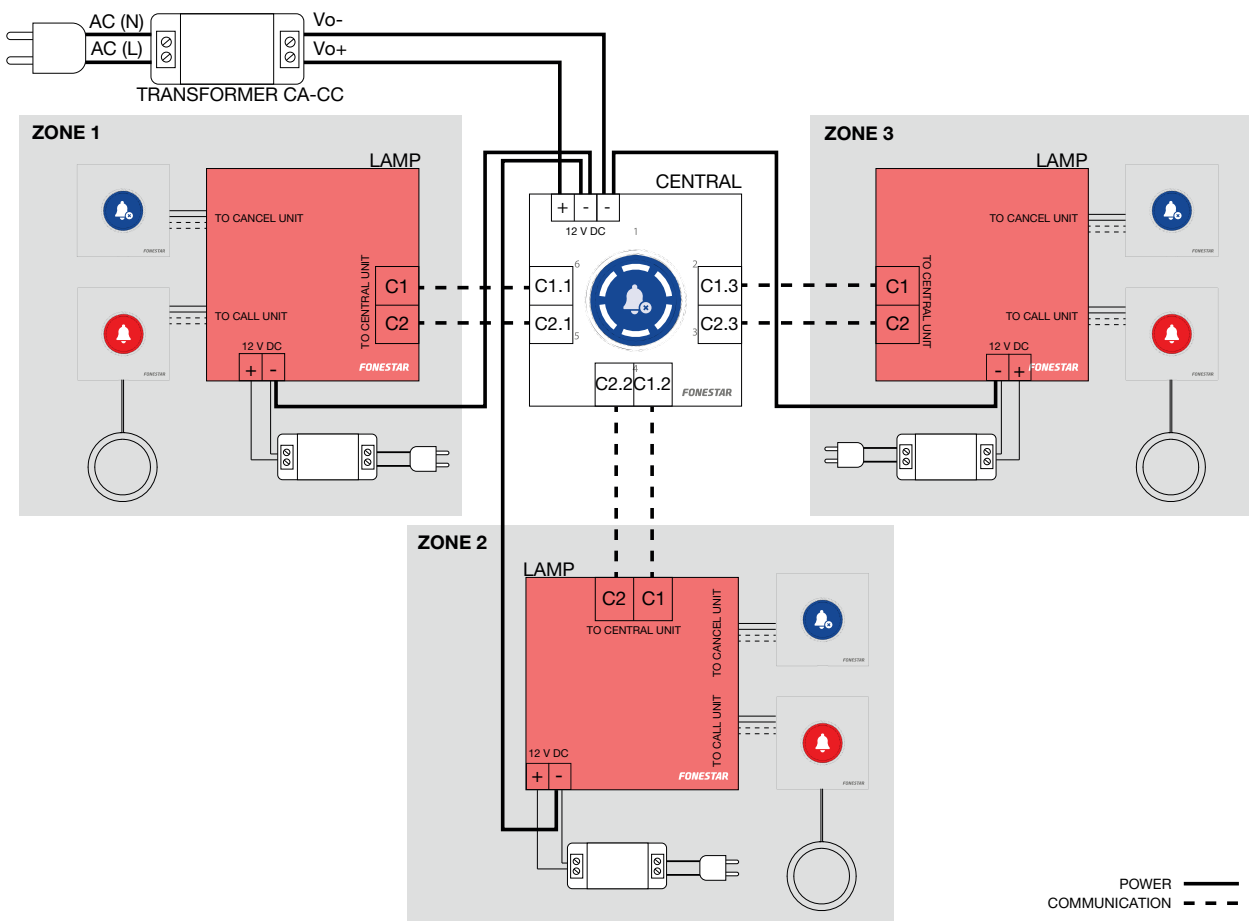
- The LAMP will be the central device as all the devices in this kit will be connected to it and it will distribute the power supply to the rest of the devices.
- Connect the LAMP terminals labelled TO CALL UNIT (A1, A2, + and -) to the CALLER terminals labelled TO LAMP UNIT (A1, A2, + and -) respectively.
- Connect the LAMP terminals labelled TO CALL UNIT (B1, B2, + and -) to the CANCELLER terminals labelled TO LAMP UNIT (B1, B2, + and -) respectively.

- Connect the +Vo and -Vo terminals of the transformer to the + and - terminals of the LAMP respectively.
- Finally, connect the transformer to the 230 V AC power supply via the terminals AC(N) (neutral) and AC(L) (line).



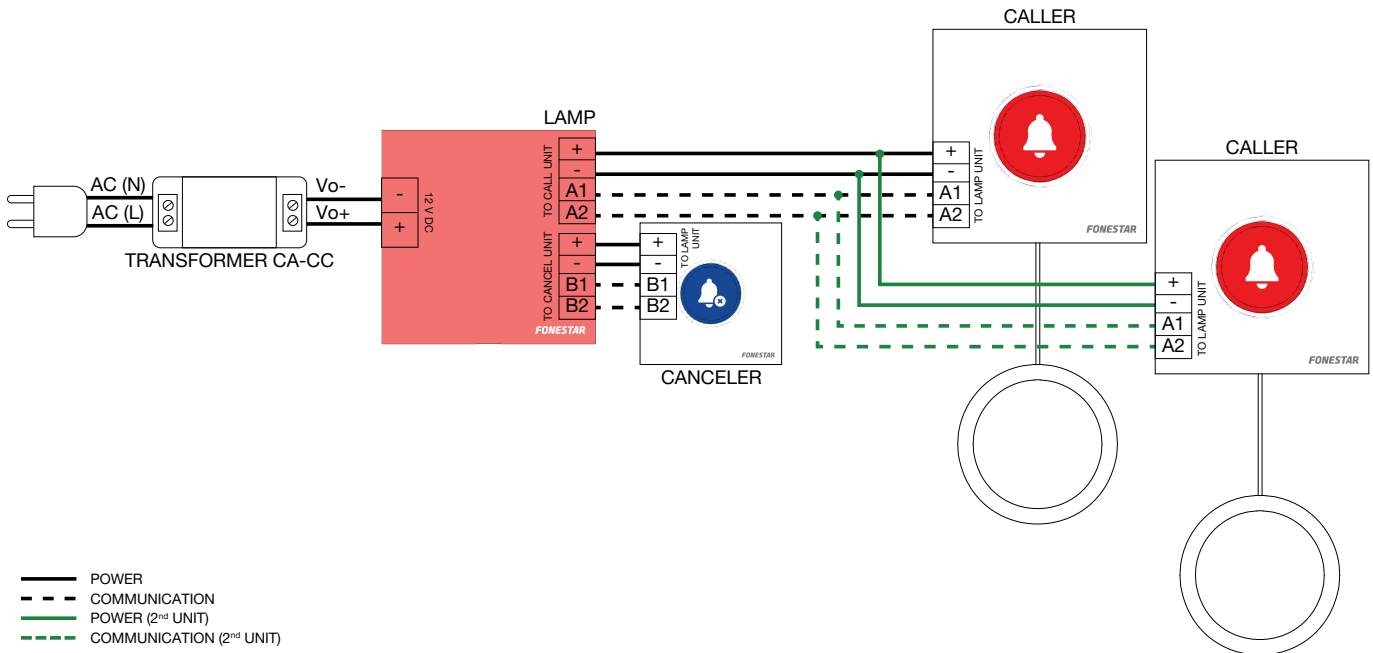
CALL-HELP + CALL-CENTRAL KIT

- Connect the LAMP terminals labeled TO CENTRAL UNIT (C1 and C2) to the CENTRAL terminals (C1.X and C2.X, where X is the zone assigned to a **CALL-HELP** kit).
- Connect the +Vo and -Vo terminals of the transformer to the + and - terminals of the CENTRAL.
- Finally, connect the transformers to the 230 V AC power supply via the terminals AC(N) (neutral) and AC(L) (line).



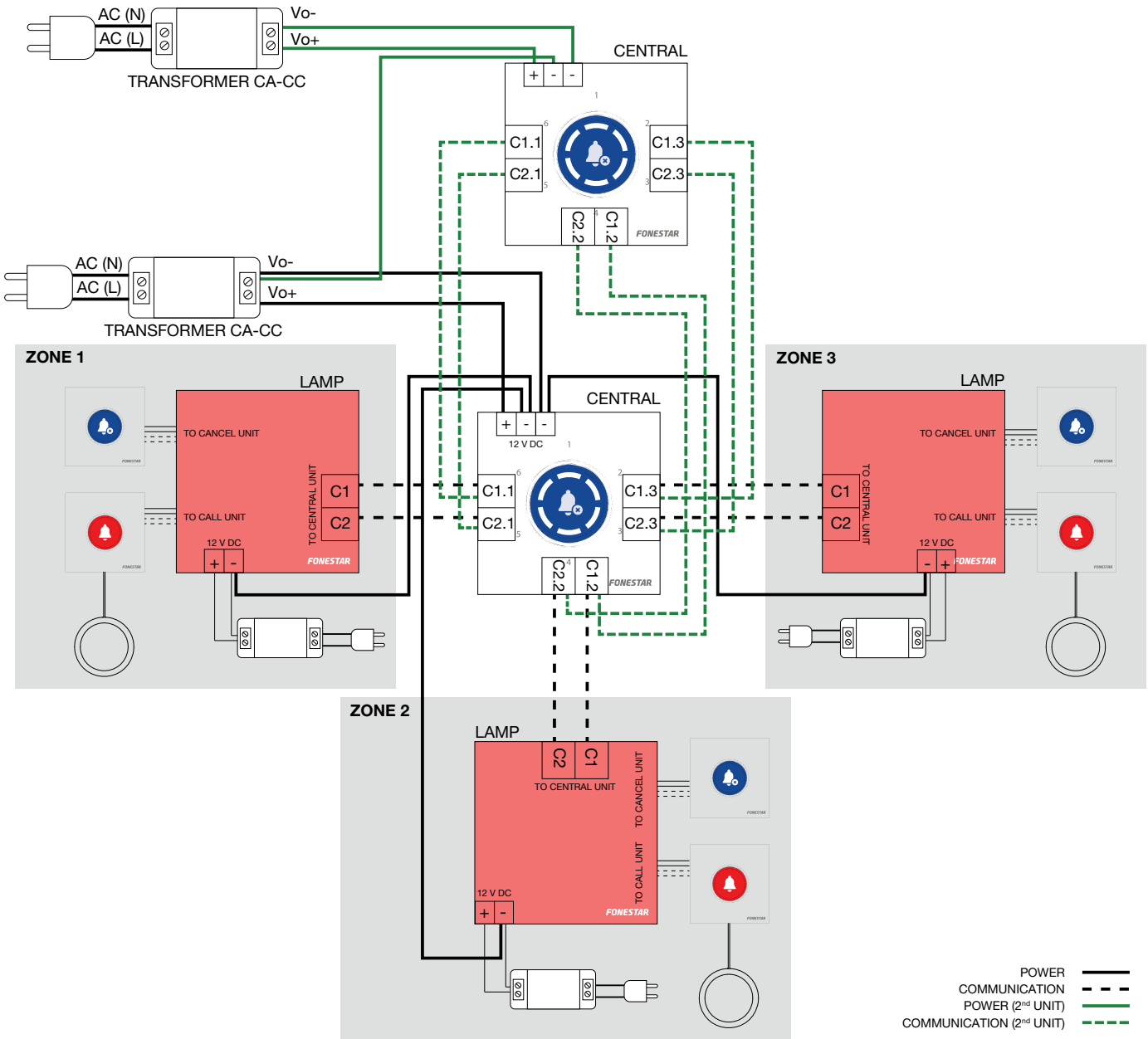
CALL-HELP KIT with 2 CALLERS

- Connect the LAMP terminals labelled TO CALL UNIT (A1, A2, + and -) to the CALLER terminals labelled TO LAMP UNIT (A1, A2, + and -) respectively.
- Connect the second CALL device using the same terminals labelled TO CALL UNIT (A1, A2, + and -) and connect to the terminals labelled TO CALL UNIT (A1, A2, + and -) of the first CALL device or to the terminals labelled TO LAMP UNIT (A1, A2, + and -) of the first CALL device.



2 CALL-CENTRAL

- Connect the LAMP terminals labeled TO CENTRAL UNIT (C1 and C2) to the CENTRAL terminals (C1.X and C2.X, where X is the zone assigned to a **CALL-HELP** kit).
- Connect the second CENTRAL device using the same terminals labeled TO CENTRAL UNIT (C1 and C2) and connect to the terminals labeled TO CENTRAL UNIT (C1 and C2) of the first CENTRAL device or to the CENTRAL terminals (C1.X and C2.X, where X is the zone assigned to a **CALL-HELP** kit) of the first CALL device.
- Connect the +Vo and -Vo terminals of each transformer to the + and - terminals of their respective CENTRAL devices.



TECHNICAL SPECIFICATIONS

	CALL-HELP
FEATURES	<p>Call for assistance kit for accessible toilet and accessible changing cabin. In compliance with CTE - DB SUA 3.1.2 standard. Design for intuitive use. Transmission and verification of the call. Light and acoustic signalling lamp. Sound pressure level of acoustic signal 85 dB. Call button with 1.95 m cord. Cancellation button. Maximum distance between lamp and call or cancel button: 60 m Power supply included. Assisted bath sticker. For square and round universal standard case. Possibility of connection to the CALL-CENTRAL call centre.</p>
CONNECTORS	Euroblock for 0.2 - 1.5 mm ² cable cross-section
POWER SUPPLY	Adapter 100-240 V AC / 12 V DC, 1,250 mA included Consumption in standby: 0.10 W
DIMENSIONS	Exterior: 83 x 83 x 39 mm depth Assembly: 47 x 47 x 27 mm depth Distance between screws: 60 mm Adapter: 31 x 32 x 76 mm depth
OPTIONAL	DOT-BOX-B: surface mounting case. CALL-CENTRAL: call centre for Assistance Call Kit

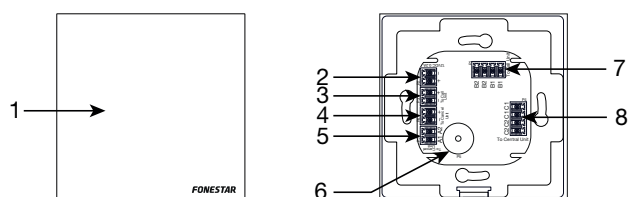
	CALL-CENTRAL
FEATURES	<p>Call centre for accessible toilet assistance or accessible changing cabin. Up to 6 CALL-HELP assistance call kits can be connected. In compliance with CTE - DB SUA 3.1.2 standard. Design for intuitive use. Reception and verification of the call. Light and acoustic signalling. Sound pressure level of acoustic signal 85 dB. Maximum distance between the control panel and the call kit: 1,000 m Power supply included. For square and round universal standard case.</p>
CONNECTORS	Euroblock for 0.2 - 1.5 mm ² cable cross-section
POWER SUPPLY	Adapter 100-240 V AC / 12 V DC, 1,250 mA included Consumption in standby: 0.10 W
DIMENSIONS	Exterior: 83 x 83 x 39 mm depth Assembly: 47 x 47 x 27 mm depth Distance between screws: 60 mm Adapter: 31 x 32 x 76 mm depth
OPTIONAL	DOT-BOX-B: surface mounting case. CALL-HELP: call for assistance kit

DESCRIPCIÓN

- El sistema **CALL-HELP** se compone de 3 dispositivos: llamador, lámpara y cancelador. Este kit permite equipar un aseo o vestuario de un sistema de asistencia y, así, cumplir con la norma del código técnico de la edificación CTE - BD SUA 3.1.2. Esta normativa es obligatoria para nuevas construcciones y reformas de instalaciones de servicio público.
- Permite realizar una llamada de asistencia desde el interior de la sala (habitación, probador, baño, etc.). La llamada será recibida en el exterior mediante señalización acústica y luminosa avisando de la necesidad de asistencia. Por último, al realizar la asistencia se deberá cancelar el aviso desde el dispositivo de cancelación.
- Adicionalmente, FONESTAR ha diseñado un dispositivo **CALL-CENTRAL** que permite controlar las llamadas de asistencia de hasta 6 kits **CALL-HELP**. Cuando se realice una llamada de asistencia este recibirá, mediante señalización acústica y luminosa, qué zona es la que solicita asistencia.

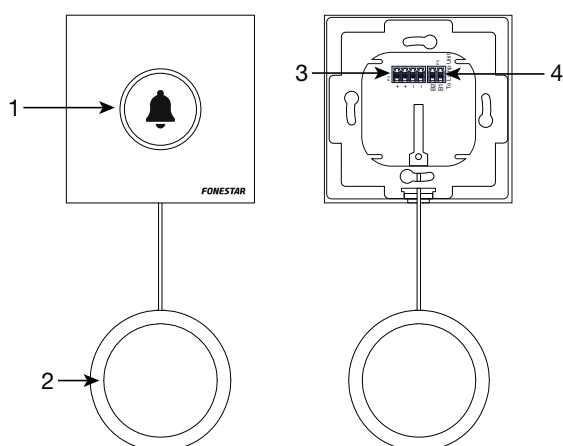
CONTROLES Y FUNCIONES

CALL-HELP - LÁMPARA



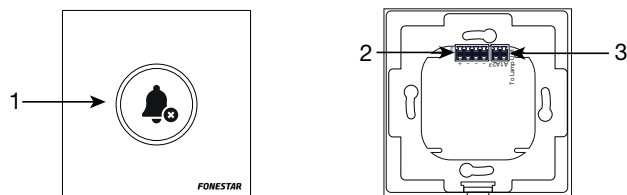
- 1.- Indicador luminoso de llamada de asistencia activa.
- 2.- **12 V DC 0.2 A, +/-**: pines de conexión para alimentación a través del transformador suministrado. Conector euroblock.
- 3.- **To Call Unit, +/-**: pines de conexión para alimentación del dispositivo LLAMADOR. Conector euroblock.
- 4.- **To Cancel Unit, +/-**: pines de conexión para alimentación del dispositivo CANCELADOR. Conector euroblock.
- 5.- **To Cancel Unit, A1/A2**: pines de comunicación con el dispositivo CANCELADOR. Conector euroblock.
- 6.- Zumbador.
- 7.- **To Call Unit, B1/B2**: pines de comunicación con el dispositivo LLAMADOR. Conector euroblock.
- 8.- **To Central Unit, C1/C2**: pines de comunicación con el dispositivo CENTRAL CALL-CENTRAL. Conector euroblock.

CALL-HELP - LLAMADOR



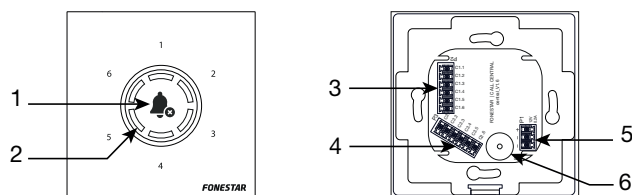
- 1.- Botón para la activación de llamada de asistencia.
- 2.- Tirador para la activación de llamada de asistencia.
- 3.- **To Lamp Unit, +/-**: pines de conexión para alimentación desde el dispositivo LÁMPARA. Conector euroblock.
- 4.- **To Lamp Unit, B1/B2**: pines de comunicación con el dispositivo LÁMPARA. Conector euroblock.

CALL-HELP - CANCELADOR



- 1.- Botón para la cancelación de la llamada de asistencia activa asociada a ese pulsador.
- 2.- **To Lamp Unit, +/-**: pines de conexión para alimentación desde el dispositivo LÁMPARA. Conector euroblock.
- 3.- **To Lamp Unit, A1/A2**: pines de comunicación con el dispositivo LÁMPARA. Conector euroblock.

CALL-CENTRAL - CENTRAL



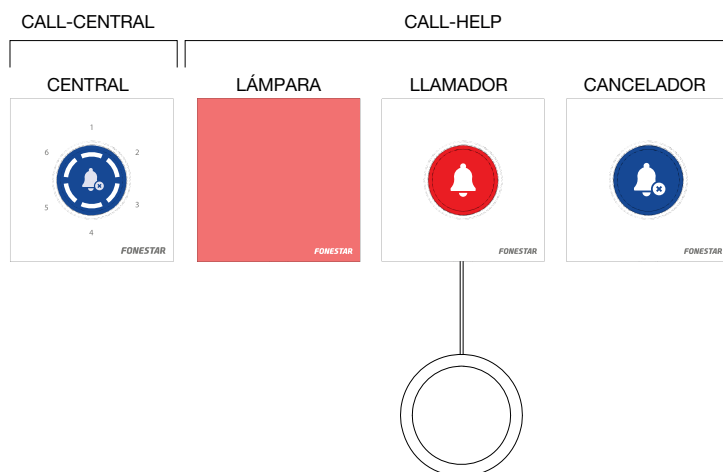
- 1.- Botón para silenciar el aviso temporal mente e indicar que la asistencia está en camino.
- 2.- Indicador luminoso de la zona o zonas con llamadas de asistencia activas.
- 3.- **C1.1-6**: pines de comunicación con los dispositivos LÁMPARA de cada zona a través de sus pines C1. Conector euroblock.
- 4.- **C2.1-6**: pines de comunicación con los dispositivos LÁMPARA de cada zona a través de sus pines C2. Conector euroblock.
- 5.- **12 V 0.2 A, +/-**: pines de conexión para alimentación a través del transformador suministrado. Conector euroblock.
- 6.- Zumbador.

FUNCIONAMIENTO

El kit **CALL-HELP**, compuesto de 3 dispositivos, permite crear un sistema completo de aviso en la que la lámpara será la unidad central del sistema y los otros 2 elementos permiten generar la llamada y cancelar la llamada. Adicionalmente, se podrá conectar una segunda unidad de llamada del mismo modo que se conecta la primera.

Además, si utiliza más de un kit **CALL-HELP** podrá añadir 1 o 2 unidades **CALL-CENTRAL** que le permitirán centralizar el estado de hasta 6 kits **CALL-HELP** de forma simultánea.

NOTA: el dispositivo CANCELADOR deberá estar colocado en el mismo lugar que el dispositivo LLAMADOR pero lo suficientemente alejado de este para evitar que se cancele el aviso de forma errónea.



Funcionamiento de 1 kit CALL-HELP

- 1.- Se inicia la llamada de asistencia pulsado el botón o mediante el tirador del dispositivo LLAMADOR.
- 2.- Cuando la llamada está activa se genera un aviso sonoro y visual en el dispositivo LÁMPARA.
- 3.- La persona que acuda a dar asistencia deberá pulsar el botón del dispositivo CANCELADOR para detener los avisos sonoro y visual.

Funcionamiento de CALL-CENTRAL y varios kits CALL-HELP (1 llamada activa)

- 1.- Se inicia la llamada de asistencia pulsado el botón o mediante el tirador del dispositivo LLAMADOR en una de las zonas.
- 2.- Cuando la llamada está activa se generan avisos sonoros y visuales en los dispositivos LÁMPARA y CENTRAL. Este último, mediante el indicador luminoso podrá identificar qué zona es la que está solicitando asistencia.
- 3.- (Opcional) Pulsando el botón del dispositivo CENTRAL el aviso sonoro en la central se silenciará y en el dispositivo LÁMPARA su aviso sonoro pasará sonar a un ritmo más lento, indicando a la persona que solicita la asistencia que la ayuda está en camino.

NOTA: si transcurridos 3 minutos la llamada no ha sido cancelada desde el dispositivo CANCELADOR de la zona correspondiente, el aviso se iniciará de nuevo generando los avisos sonoros y visuales del primer punto.

- 4.- La persona que acuda a dar asistencia deberá pulsar el botón del dispositivo CANCELADOR para detener los avisos sonoro y visual.

Funcionamiento de CALL-CENTRAL y varios kits CALL-HELP (varias llamadas activas)

- 1.- Se inicia la llamada de asistencia pulsado el botón o mediante el tirador del dispositivo LLAMADOR. En este caso, existen varias zonas con llamadas activas a la vez.
- 2.- Cuando la llamada está activa se generan avisos sonoros y visuales en los dispositivos LÁMPARA y CENTRAL. Este último, mediante el indicador luminoso podrá identificar qué zona es la que está solicitando asistencia.
- 3.- (Opcional) Pulsando el botón del dispositivo CENTRAL el aviso sonoro en la central se silenciará y en el dispositivo LÁMPARA su aviso sonoro pasará sonar a un ritmo más lento, indicando a la persona que solicita la asistencia que la ayuda está en camino.

NOTA: si transcurridos 3 minutos la llamada no ha sido cancelada desde el dispositivo CANCELADOR de la zona correspondiente, el aviso se iniciará de nuevo generando las alarmas sonoras y visuales del primer punto.

NOTA: si existen más dispositivos CENTRAL en la instalación, funcionarán todos de la misma manera. Las interacciones en uno de ellos afectará al resto de dispositivos CENTRAL de la instalación.

- 4.- La persona que acuda a dar asistencia deberá pulsar el botón del dispositivo CANCELADOR para detener los avisos sonoro y visual. Pero el resto de avisos activos se reiniciarán iniciando de nuevo las alarmas sonoras y visuales del paso 2.
- 5.- A continuación, se deberán atender los avisos como se indica en los pasos 3 (opcional) y 4 hasta que no existan llamadas de asistencia activas.

INSTALACIÓN Y CONEXIÓN

CABLEADO

CABLEADO DE ALIMENTACIÓN

IMPORTANTE

- Preste especial atención a la hora de conectar la polaridad de la alimentación ya que una conexión cruzada de + con - o viceversa dejará el dispositivo inservible
- El pin negativo (-) de alimentación debe estar interconectado entre los distintos equipos CENTRAL y LÁMPARA

Tanto los dispositivos del kit **CALL-HELP** como **CALL-CENTRAL** requieren ser alimentados mediante el transformador suministrado con cada uno de ellos. En el caso del kit **CALL-HELP** será el dispositivo LÁMPARA el que se conectará directamente al transformador y repartirá la alimentación al resto de dispositivos de su kit mediante los pines + y -. Tenga en cuenta la polaridad indicada en cada dispositivo.

NOTA: el kit **CALL-HELP** puede utilizarse con 2 unidades de LLAMADOR. Se alimentará a través de los pines + y - del primer dispositivo LLAMADOR o de LÁMPARA.

NOTA: es posible utilizar 2 unidades **CALL-CENTRAL** para controlar las mismas zonas. Se alimentará a través de su propio transformador.

- El transformador se conecta por los puertos AC(N) (neutro) y AC(L) (línea) a la corriente eléctrica 230 V CA.
- En el otro extremo del transformador, puertos +Vo y -Vo, los conectaremos los dispositivos LÁMPARA o CENTRAL en los respectivos terminales + y -.

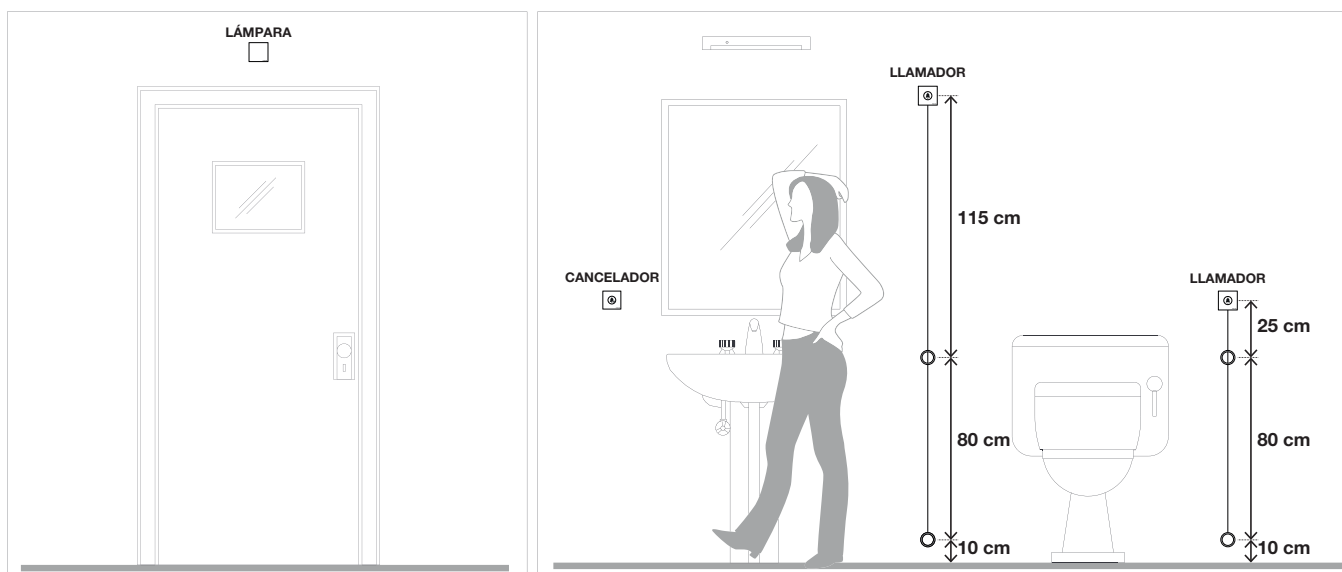
CABLEADO DE COMUNICACIÓN ENTRE DISPOSITIVOS

- Longitud máxima del cable:
 - Entre CENTRAL y LÁMPARA: 1.000 metros máximo.
 - Entre LÁMPARA y CANCELADOR/LLAMADOR: 20 metros máximo.
- El tipo de cable que se recomienda es de 4 x 0'5 mm².

NOTA: el kit **CALL-HELP** puede utilizarse con 2 unidades de LLAMADOR. Se comunicará a través de los pines B1 y B2 del primer dispositivo LLAMADOR o de LÁMPARA.

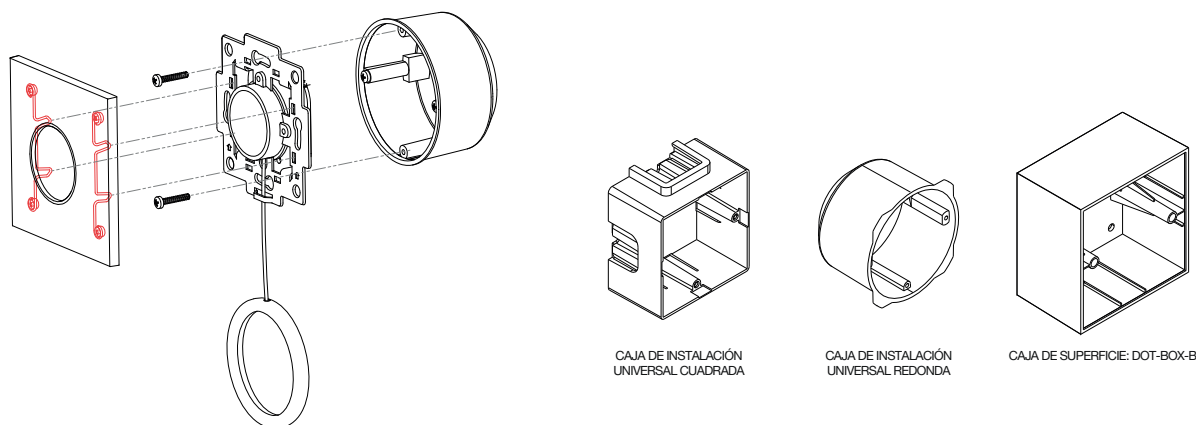
NOTA: es posible utilizar 2 unidades **CALL-CENTRAL** para controlar las mismas zonas. Se comunicará a través de los pines C del primer dispositivo CENTRAL o duplicando el cableado con los dispositivos LÁMPARA de cada zona.

INSTALACIÓN



EN PARED

- Todos los dispositivos han sido diseñados para instalarse en cajas de empotrar universales, cuadradas o redondas, o en cajas de superficie de FONESTAR modelo **DOT-BOX-B**.
- Se recomienda instalar:
 - LLAMADOR y CANCELADOR entre 1'5 y 2'2 m del suelo. Además, el dispositivo CANCELADOR deberá estar colocado en el mismo lugar que el dispositivo LLAMADOR pero lo suficientemente alejado de este para evitar que se cancele el aviso de forma accidental.
 - LÁMPARA y CENTRAL deberán colocarse en un lugar visible.
- Para instalar los dispositivos en la pared:
 - Coloque los conectores euroblock en los cables en la polaridad indicada en la serigrafía.
 - Tire del panel frontal para separarlo de la placa metálica de instalación.
 - Fije la placa metálica de instalación a la caja instalada en la pared mediante los tornillos de la misma.
 - Coloque de nuevo el panel frontal en la posición adecuada, el logo en la esquina inferior derecha, y haciendo coincidir los ganchos metálicos de la tapa con los orificios de la placa metálica de instalación mediante presión.



INSTALACIÓN DE ARANDELAS DEL TIRADOR DEL LLAMADOR

La normativa dicta que deben colocarse 2 tiradores a distintas alturas. El tirador inferior debe situarse a 10 cm del suelo, según la norma. Para el tirador en la posición más alta, recomendamos se sitúe a 90 cm del suelo.

En función de dónde se instale el dispositivo en la pared deberá situar las arandelas en una posición u otra del cable. Para ello, coloque la arandela 1 en la parte más alta del cable, realice un nudo firme en la posición deseada y después deslice la arandela a esa posición. A continuación, deslice la arandela 2 hasta la arandela 1 y realice un nudo firme en el cable para conseguir que la arandela 2 se encuentre a 10 cm del suelo. Por último, corte el cable sobrante y queme con una llama el final de este para evitar que se deshilache.

CONEXIÓN

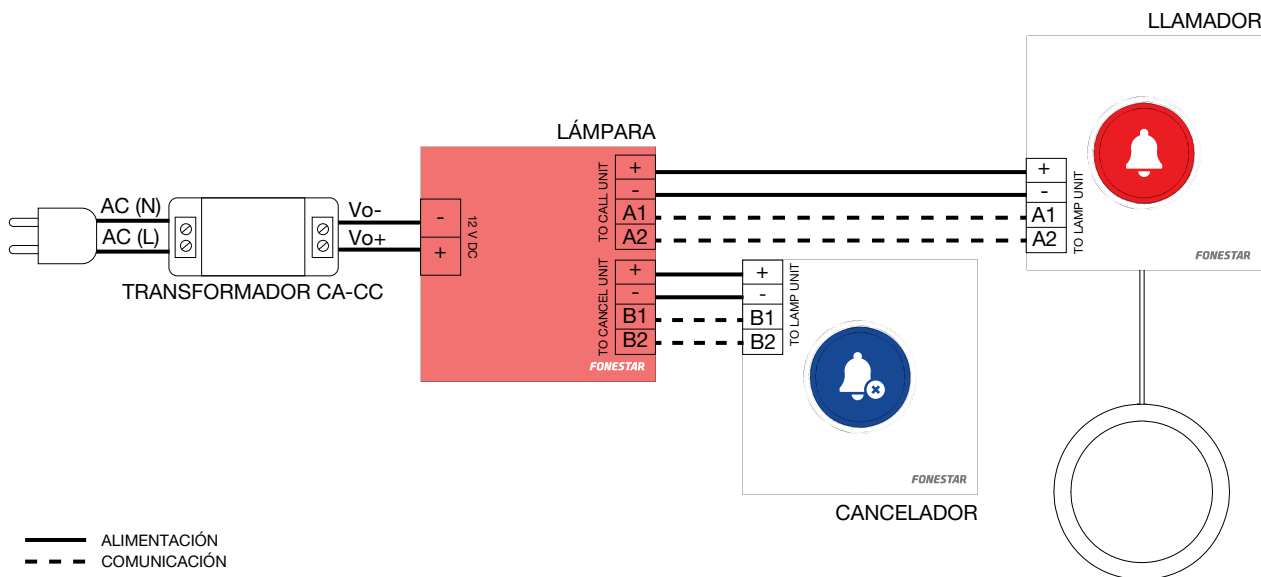
IMPORTANTE:

- Todos los dispositivos LÁMPARA y CENTRAL del sistema deberán estar conectados a la misma tierra.
- Utilice los conectores euroblock naranjas para los terminales de alimentación y los verdes para comunicación.
- Antes de conectar el sistema a la corriente eléctrica, verifique que todos los dispositivos tienen correctamente conectada la polaridad de la alimentación.

KIT CALL-HELP

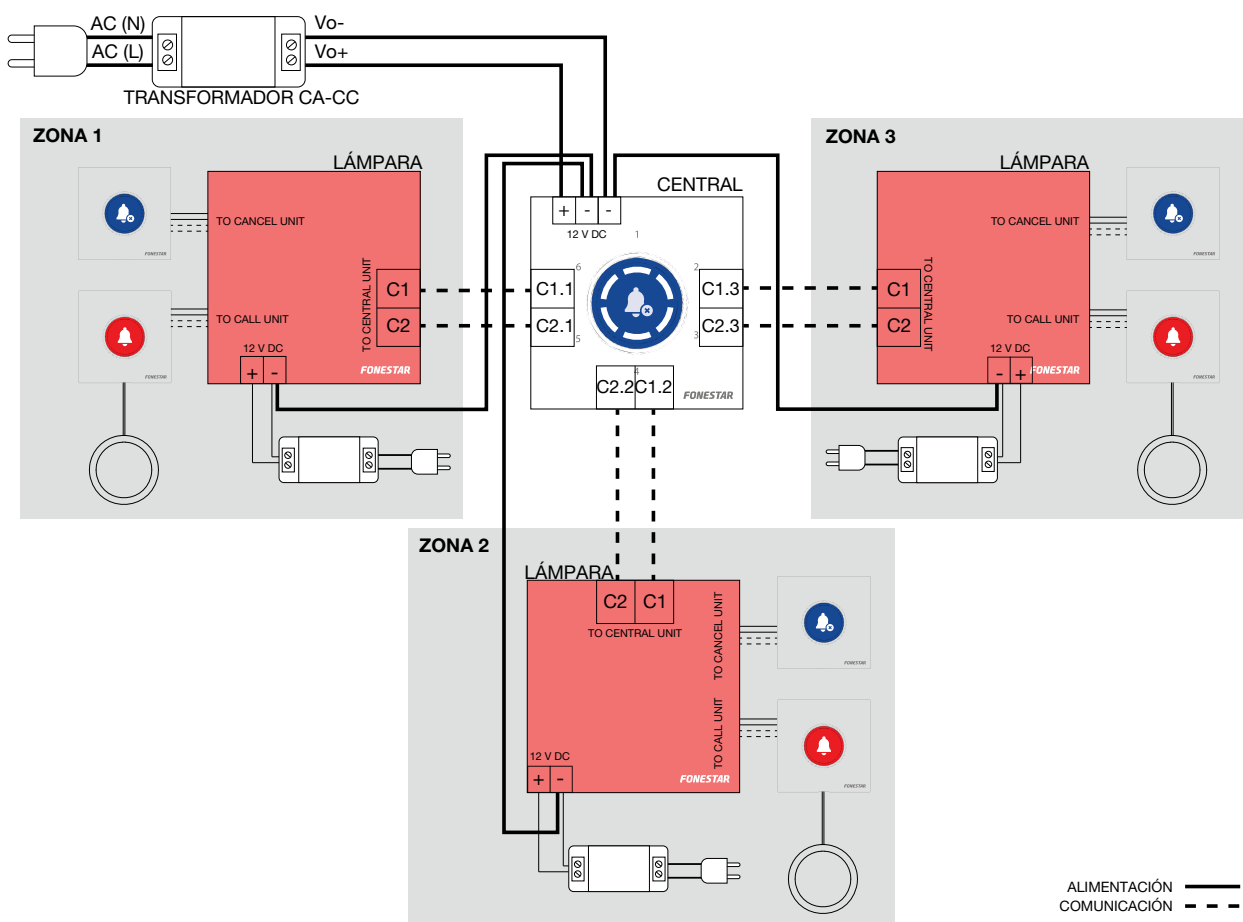
- La LÁMPARA será el dispositivo central ya que a él se conectarán todos los dispositivos de este kit y éste el que distribuya la alimentación al resto de dispositivos.
- Conecte los terminales LÁMPARA denominados TO CALL UNIT (A1, A2, + y -) a los terminales del LLAMADOR denominados TO LAMP UNIT (A1, A2, + y -) respectivamente.

- Conecte los terminales LÁMPARA denominados TO CALL UNIT (B1, B2, + y -) a los terminales del CANCELADOR denominados TO LAMP UNIT (B1, B2, + y -) respectivamente.
- Conecte los terminales +Vo y -Vo del transformado a los terminales + y - de la LÁMPARA respectivamente.
- En último lugar, conecte el transformador a la corriente eléctrica 230 V CA mediante los terminales AC(N) (neutro) y AC(L) (línea).



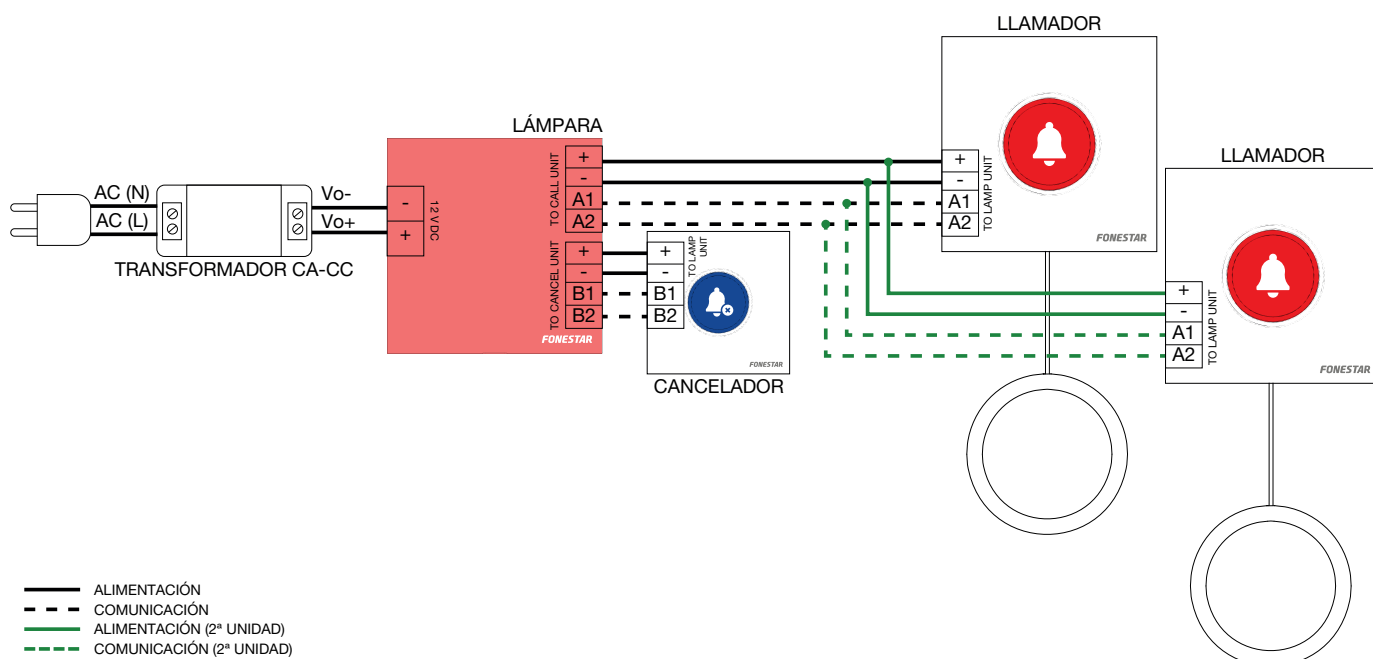
KIT CALL-HELP + CALL-CENTRAL

- Conecte los terminales LÁMPARA denominados TO CENTRAL UNIT (C1 y C2) a los terminales de CENTRAL (C1.X y C2.X, donde X es la zona asignada a un kit **CALL-HELP**).
- Conecte los terminales +Vo y -Vo del transformador a los terminales + y - de la CENTRAL.
- En último lugar, conecte los transformadores a la corriente eléctrica 230 V CA mediante los terminales AC(N) (neutro) y AC(L) (línea).



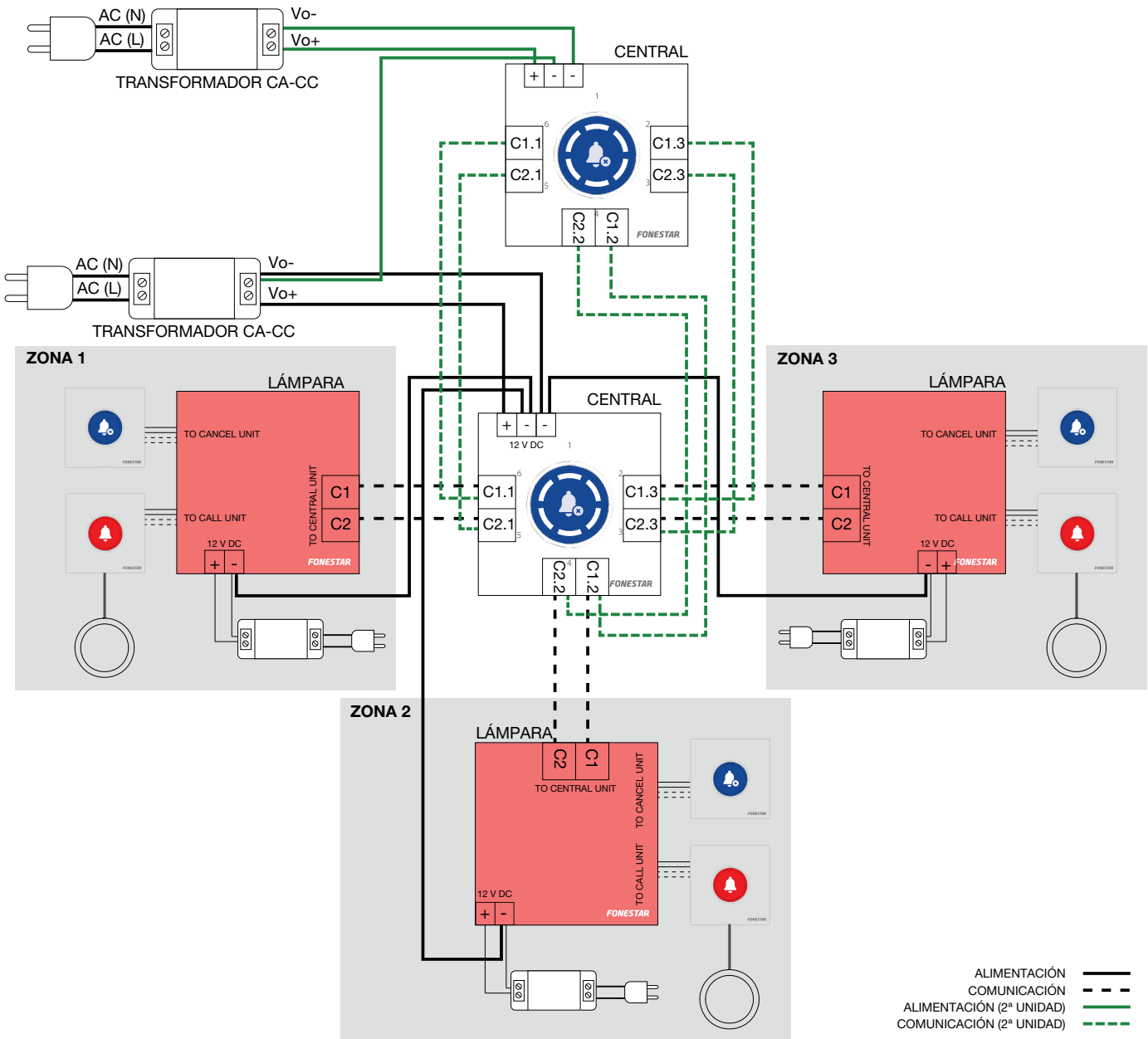
KIT CALL-HELP con 2 LLAMADORES

- Conecte los terminales LÁMPARA denominados TO CALL UNIT (A1, A2, + y -) a los terminales del LLAMADOR denominados TO LAMP UNIT (A1, A2, + y -) respectivamente.
- Conecte el segundo dispositivo LLAMADA utilizando los mismos terminales denominados TO CALL UNIT (A1, A2, + y -) y conéctese a los terminales denominados TO CALL UNIT (A1, A2, + y -) del primer dispositivo LLAMADA o a los terminales TO LAMP UNIT (A1, A2, + y -) del primer dispositivo LLAMADA.



2 CALL-CENTRAL

- Conecte los terminales LÁMPARA denominados TO CENTRAL UNIT (C1 y C2) a los terminales de CENTRAL (C1.X y C2.X, donde X es la zona asignada a un kit **CALL-HELP**).
- Conecte el segundo dispositivo CENTRAL utilizando los mismos terminales denominados TO CENTRAL UNIT (C1 y C2) y conéctese a los terminales denominados TO CENTRAL UNIT (C1 y C2) del primer dispositivo CENTRAL o a los terminales CENTRAL (C1.X y C2.X, donde X es la zona asignada a un kit **CALL-HELP**) del primer dispositivo LLAMADA.
- Conecte los terminales +Vo y -Vo de cada transformador a los terminales + y - a sus respectivos dispositivos CENTRAL.



ESPECIFICACIONES TÉCNICAS

	CALL-HELP
CARACTERÍSTICAS	<p>Kit de llamada de asistencia para aseo accesible o cabina de vestuario accesible. Conforme con la norma CTE - DB SUA 3.1.2. Diseño para uso intuitivo. Transmisión y verificación de la llamada. Lampara de señalización luminosa y acústica. Nivel de presión sonora de señal acústica 85 dB. Botón de llamada con cordón de 1'95 m. Botón de cancelación. Distancia máxima entre la lampara y botón de llamada o cancelación: 60 m Fuente de alimentación incluida. Pegatina de baño asistido. Para caja estándar universal cuadrada y redonda. Posibilidad de conexión a la central de llamadas CALL-CENTRAL.</p>
CONECTORES	Euroblock para cable 0'2 - 1'5 mm ² de sección
ALIMENTACIÓN	<p>Adaptador 100-240 V CA / 12 V CC, 1.250 mA incluido Consumo en standby: 0.10 W</p>
MEDIDAS	<p>Exteriores: 83 x 83 x 39 mm fondo Montaje: 47 x 47 x 27 mm fondo Distancia entre tornillos: 60 mm Adaptador: 31 x 32 x 76 mm fondo</p>
OPCIONAL	<p>DOT-BOX-B: caja para montaje en superficie CALL-CENTRAL: central de llamadas para Kit de llamada de asistencia</p>

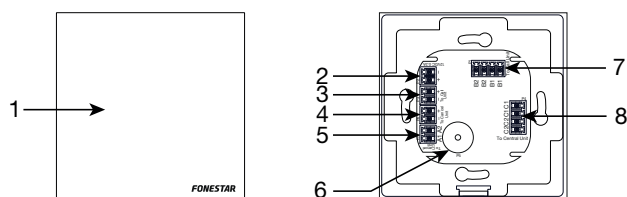
	CALL-CENTRAL
CARACTERÍSTICAS	<p>Central de llamadas de asistencia para aseo accesible o cabina de vestuario accesible. Puede conectarse hasta 6 kits de llamada de asistencia CALL-HELP. Conforme con la norma CTE - DB SUA 3.1.2. Diseño para uso intuitivo. Recepción y verificación de la llamada. Señalización luminosa y acústica. Nivel de presión sonora de señal acústica 85 dB. Distancia máxima entre la central y kit de llamada: 1.000 m Fuente de alimentación incluida. Para caja estándar universal cuadrada y redonda.</p>
CONECTORES	Euroblock para cable 0'2 - 1'5 mm ² de sección
ALIMENTACIÓN	<p>Adaptador 100-240 V CA / 12 V CC, 1.250 mA incluido Consumo en standby: 0.10 W</p>
MEDIDAS	<p>Exteriores: 83 x 83 x 39 mm fondo Montaje: 47 x 47 x 27 mm fondo Distancia entre tornillos: 60 mm Adaptador: 31 x 32 x 76 mm fondo</p>
OPCIONAL	<p>DOT-BOX-B: caja para montaje en superficie CALL-HELP: kit de llamadas de asistencia</p>

DESCRIPTION

- Le système **CALL-HELP** se compose de 3 dispositifs : l'appelant, la lampe et l'annulateur. Ce kit permet d'équiper une toilette ou un vestiaire d'un système d'assistance et de répondre ainsi au code technique de la construction CTE - BD SUA 3.1.2. Ce règlement est obligatoire pour les nouvelles constructions et les rénovations d'installations de service public.
- Permet d'effectuer un appel d'assistance depuis l'intérieur de la pièce (chambre, vestiaire, salle de bain, etc.). L'appel est reçu de l'extérieur au moyen de signaux acoustiques et lumineux avertissant de la nécessité d'une assistance. Finalement, lorsque l'assistance est fournie, l'avertissement doit être annulé à partir du dispositif d'annulation.
- De plus, FONESTAR a conçu un dispositif **CALL-CENTRAL** qui permet de contrôler les appels d'assistance d'un maximum de 6 kits **CALL-HELP**. Lors d'un appel à l'aide, il doit recevoir, au moyen d'une signalisation acoustique et lumineuse, la zone qui demande de l'aide.

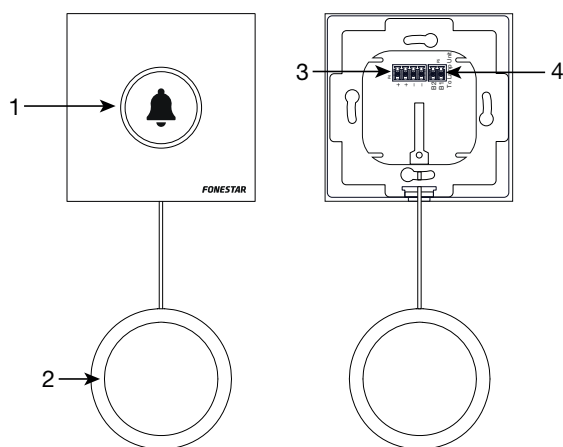
CONTRÔLES ET FONCTIONS

CALL-HELP - LAMPE



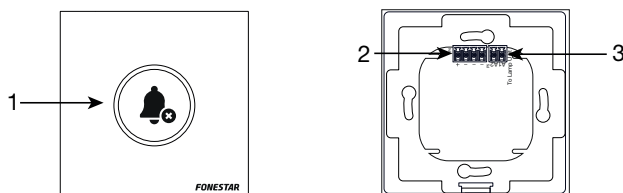
- 1.- Témoin d'appel d'assistance active.
- 2.- **12 V DC 0.2 A, +/-** : broches de connexion pour l'alimentation via le transformateur fourni. Connecteur euroblock.
- 3.- **To Call Unit, +/-** : broches de connexion pour l'alimentation électrique du dispositif APPELER. Connecteur euroblock.
- 4.- **To Cancel Unit, +/-** : broches de connexion pour l'alimentation du dispositif ANNULATEUR. Connecteur euroblock.
- 5.- **To Cancel Unit, A1/A2** : broches de communication avec le dispositif ANNULATEUR. Connecteur euroblock.
- 6.- Buzzer.
- 7.- **To Call Unit, B1/B2** : broches pour la communication avec le dispositif APPELER. Connecteur euroblock.
- 8.- **To Central Unit, C1/C2** : broches pour la communication avec le dispositif CENTRAL CALL-CENTRAL. Connecteur euroblock.

CALL-HELP - APPELER



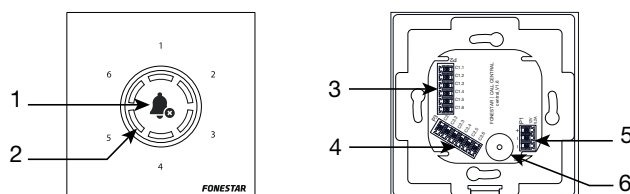
- 1.- Bouton d'activation de l'appel d'assistance.
- 2.- Poignée pour l'activation de l'appel d'assistance.
- 3.- **To Lamp Unit, +/-** : broches de connexion pour l'alimentation du dispositif LAMPE. Connecteur euroblock.
- 4.- **To Lamp Unit, B1/B2** : broches de communication avec le dispositif LAMPE. Connecteur euroblock.

CALL HELP - ANNULATEUR



- 1.- Bouton pour l'annulation de l'appel d'assistance actif associé à ce bouton-poussoir.
- 2.- **To Lamp Unit, +/-** : broches de connexion pour l'alimentation du dispositif LAMPE. Connecteur euroblock.
- 3.- **To Lamp Unit, A1/A2** : broches de communication avec le dispositif LAMPE. Connecteur euroblock.

CALL-CENTRAL - CENTRAL



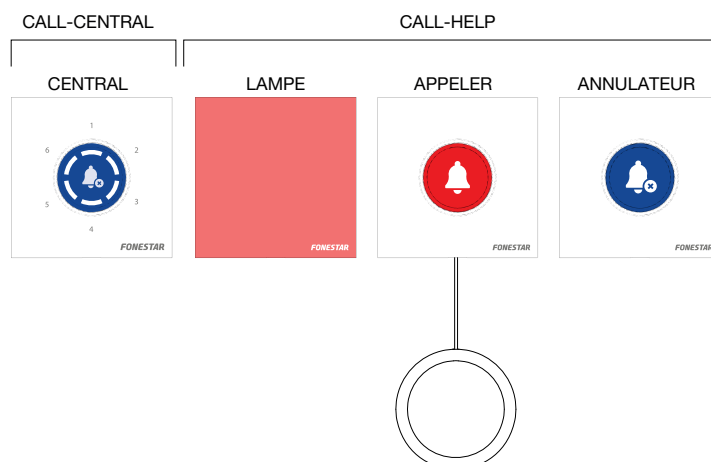
- 1.- Bouton pour désactiver temporairement l'avertissement et indiquer que l'assistance est en route.
- 2.- Témoin lumineux de la (des) zone(s) avec appel(s) à l'aide actif(s).
- 3.- **C1.1-6** : broches de communication avec les dispositifs LAMP de chaque zone par l'intermédiaire de leurs broches C1. Connecteur euroblock.
- 4.- **C2.1-6** : broches de communication avec les dispositifs LAMP de chaque zone par l'intermédiaire de leurs broches C2. Connecteur euroblock.
- 5.- **12 V 0.2 A, +/-** : broches de connexion pour l'alimentation via le transformateur fourni. Connecteur euroblock.
- 6.- Buzzer.

FONCTIONNEMENT

Le kit **CALL-HELP**, composé de 3 dispositifs, permet de créer un système d'alerte complet dans lequel la lampe sera l'unité centrale du système et les 2 autres éléments permettront de générer l'appel et d'annuler l'appel. En outre, une deuxième unité d'appel peut être connectée de la même manière que la première unité d'appel.

De plus, si vous utilisez plus d'un kit **CALL-HELP** vous pouvez ajouter 1 ou 2 unités **CALL-CENTRAL** qui vous permettront de centraliser l'état de jusqu'à 6 kits **CALL-HELP** simultanément.

N.B. : Le dispositif ANNULATEUR doit être placé au même endroit que le dispositif de APPELER, mais suffisamment loin de ce dernier pour éviter toute annulation erronée de l'annonce.



Fonctionnement de 1 kit CALL-HELP

- 1.- L'appel d'assistance est déclenché en appuyant sur le bouton ou au moyen de la poignée du dispositif APPELER.
- 2.- Lorsque l'appel est actif, un avertissement sonore et visuel est généré sur le dispositif LAMP.
- 3.- La personne qui vient prêter assistance doit appuyer sur le bouton du dispositif ANNULATEUR pour arrêter les avertissements sonores et visuels.

Fonctionnement de CALL-CENTRAL et des différents kits CALL-HELP (1 appel actif)

- 1.- L'appel à l'aide est déclenché en appuyant sur le bouton ou en utilisant la poignée du dispositif APPELER sur l'une des zones.
- 2.- Lorsque l'appel est actif, des avertissements sonores et visuels sont générés sur les dispositifs LAMPE et CENTRAL. Ce dernier, grâce au voyant lumineux, pourra identifier la zone qui demande de l'aide.
- 3.- (Optionnel) En appuyant sur le bouton du dispositif CENTRAL, l'avertissement sonore du panneau de contrôle s'éteint et sur le dispositif LAMPE, l'avertissement sonore retentit à un rythme plus lent, indiquant à la personne qui demande de l'aide que celle-ci est en cours d'acheminement.
N.B. : si, après 3 minutes, l'appel n'a pas été annulé à partir du dispositif d'annulation de la zone correspondante, l'annonce recommence en générant les avertissements sonores et visuels du premier point.
- 4.- La personne qui vient prêter assistance doit appuyer sur le bouton du dispositif ANNULATEUR pour arrêter les avertissements sonores et visuels.

Fonctionnement de CALL-CENTRAL et des différents kits CALL-HELP (plusieurs appels actifs)

- 1.- L'appel d'assistance est déclenché en appuyant sur le bouton ou au moyen de la poignée du dispositif APPELER. Dans ce cas, il y a plusieurs zones avec des appels actifs en même temps.
- 2.- Lorsque l'appel est actif, des avertissements sonores et visuels sont générés sur les dispositifs LAMPE et CENTRAL. Ce dernier, grâce au voyant lumineux, pourra identifier la zone qui demande de l'aide.
- 3.- (Optionnel) En appuyant sur le bouton du dispositif CENTRAL, l'avertissement sonore du panneau de contrôle s'éteint et sur le dispositif LAMPE, l'avertissement sonore retentit à un rythme plus lent, indiquant à la personne qui demande de l'aide que celle-ci est en cours d'acheminement.
N.B. : si, après 3 minutes, l'appel n'a pas été annulé à partir du dispositif d'annulation de la zone correspondante, l'alerte recommencera à générer les alarmes sonores et visuelles du premier point.
N.B. : s'il y a plusieurs appareils CENTRAL dans l'installation, ils fonctionneront tous de la même manière. Les interactions dans l'un d'entre eux affecteront le reste des dispositifs CENTRAL de l'installation.
- 4.- La personne qui vient prêter assistance doit appuyer sur le bouton du dispositif ANNULATEUR pour arrêter les avertissements sonores et visuels. Cependant, tous les autres avertissements actifs doivent être réinitialisés en relançant les alarmes sonores et visuelles à partir de l'étape 2.
- 5.- Il est ensuite répondu aux alertes comme indiqué aux étapes 3 (facultatif) et 4 jusqu'à ce qu'il n'y ait plus d'appels à l'aide actifs.

INSTALLATION ET CONNEXION

CÂBLAGE

CÂBLE D'ALIMENTATION

IMPORTANT

- Il faut faire très attention à la polarité de l'alimentation, car une connexion croisée de + à - ou vice versa rendra l'appareil inutilisable
- La broche négative (-) de l'alimentation doit être interconnectée entre les différents dispositifs CENTRAL et LAMPE

Les kits **CALL-HELP** et **CALL-CENTRAL** doivent être alimentés par le transformateur fourni avec chaque appareil. Dans le cas du kit **CALL-HELP** c'est le dispositif LAMPE qui sera connecté directement au transformateur et qui distribuera l'alimentation au reste des dispositifs du kit via les broches + et -. Respecter la polarité indiquée sur chaque appareil.

N.B. : le kit **CALL-HELP** peut être utilisé avec 2 unités APPELER. Il doit être alimenté par les broches + et - du premier dispositif APPELER ou LAMPE.

N.B. : pour contrôler les mêmes zones **CALL-CENTRAL** pour contrôler les mêmes zones. Il sera alimenté par son propre transformateur.

- Le transformateur est connecté par les ports AC(N) (neutre) et AC(L) (ligne) au réseau électrique 230 V CA.
- A l'autre extrémité du transformateur, les ports +Vo et -Vo, connectent les appareils LAMP ou CENTRAL aux bornes respectives + et -.

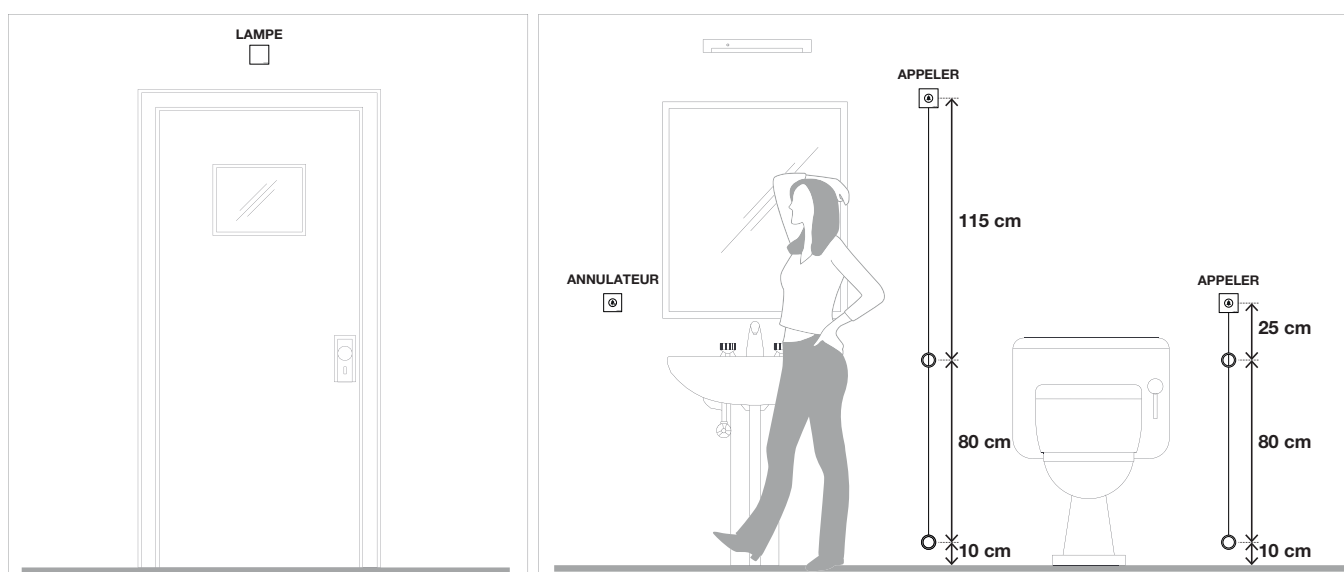
LE CÂBLAGE DE COMMUNICATION ENTRE LES APPAREILS

- Longueur maximale du câble :
 - Entre CENTRAL et LAMPE : 1.000 mètres maximum.
 - Entre LAMPE et ANNULATEUR/APPELER : 20 mètres maximum.
- Le type de câble recommandé est 4 x 0'5 mm².

N.B. : le kit **CALL-HELP** peut être utilisé avec 2 unités APPELER. Il communique par l'intermédiaire des broches B1 et B2 du premier dispositif ANNULATEUR ou LAMPE.

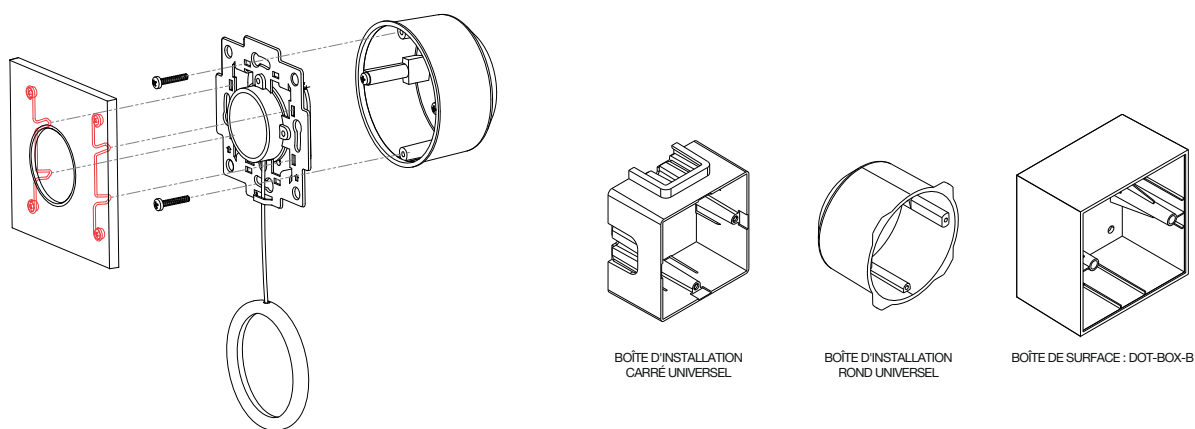
N.B. : il est possible d'utiliser 2 unités **CALL-CENTRAL** pour contrôler les mêmes zones. Il doit communiquer par les broches C du premier dispositif CENTRAL ou en doublant le câblage des dispositifs LAMPE dans chaque zone.

INSTALLATION



AU MUR

- Tous les dispositifs sont conçus pour être installés dans des boîtes d'encastrement universelles carrées ou rondes ou dans des boîtes de montage en surface FONESTAR modèle **DOT-BOX-B**.
- Il est recommandé d'installer :
 - APPELER et ANNULATEUR entre 1'5 y 2'2 m du sol. En outre, le dispositif d'ANNULATION doit être placé au même endroit que le dispositif d'APPEL, mais suffisamment loin de ce dernier pour empêcher l'annulation accidentelle de l'avertissement..
 - Les mentions LAMPE et CENTRAL doivent être placées à un endroit bien visible.
- Pour installer les appareils sur le mur :
 - Monter les connecteurs euroblock sur les câbles en respectant la polarité indiquée sur la sérigraphie.
 - Tire del panel frontal para separarlo de la placa metálica de instalación.
 - Fixez la plaque d'installation métallique au boîtier mural à l'aide des vis situées sur le mur.
 - Replacez le panneau avant dans la bonne position, le logo dans le coin inférieur droit, et faites correspondre les crochets métalliques du couvercle avec les trous de la plaque d'installation métallique en appuyant.



INSTALLATION DES RONDELLES DE LA POIGNÉE DU HEURTOIR

La réglementation impose que 2 poignées soient placées à des hauteurs différentes. La poignée inférieure doit être placée à 10 cm du sol, conformément à la norme. Pour la poignée dans la position la plus haute, nous recommandons qu'elle soit à 90 cm du sol.

Selon l'endroit où l'appareil est installé sur le mur, les œillets doivent être positionnés à différents endroits sur le câble. Pour ce faire, placez la rondelle 1 sur la partie la plus haute du câble, faites un nœud solide dans la position souhaitée, puis faites glisser la rondelle jusqu'à cette position. Glissez ensuite la rondelle 2 jusqu'à la rondelle 1 et faites un nœud solide dans le câble de manière à ce que la rondelle 2 soit à 10 cm au-dessus du sol. Enfin, coupez l'excédent de fil et brûlez l'extrémité du fil avec une flamme pour éviter qu'il ne s'effiloche.

CONNEXION

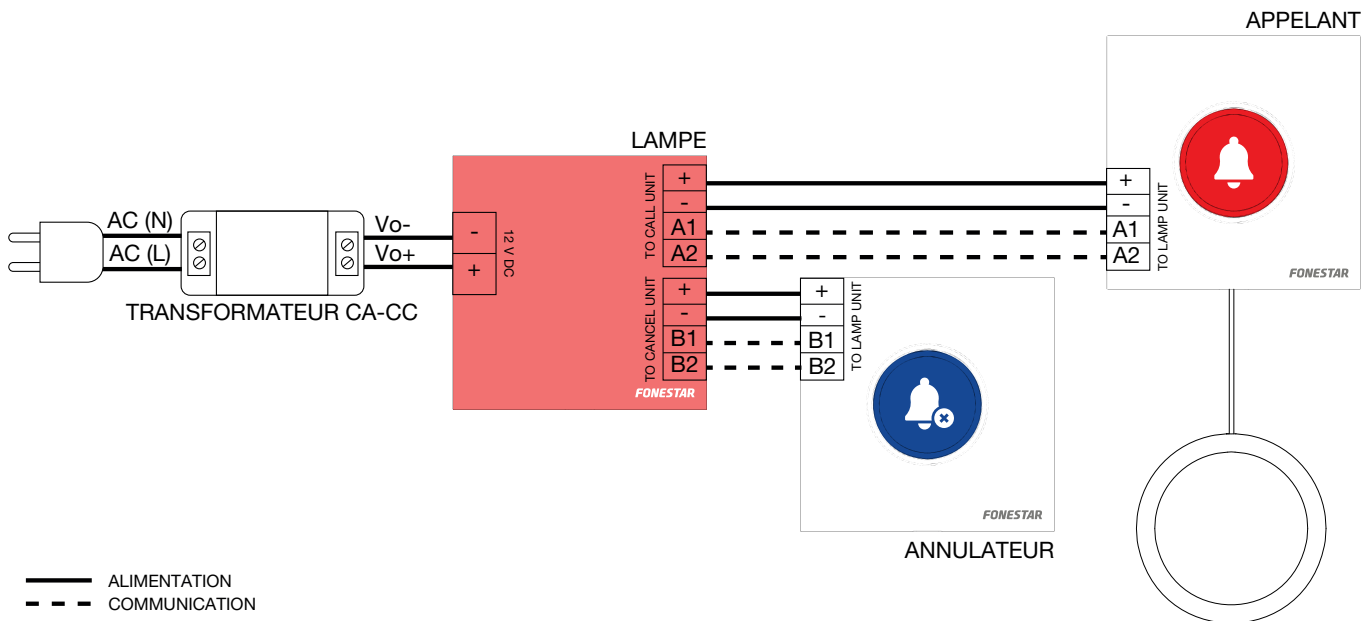
IMPORTANT:

- Tous les dispositifs LAMPE et CENTRAL du système doivent être reliés à la même terre..
- Utilisez les connecteurs euroblocks orange pour les bornes d'alimentation et les connecteurs verts pour la communication.
- Avant de connecter le système à l'alimentation électrique, vérifiez que la polarité de l'alimentation électrique est correcte pour tous les appareils.

KIT CALL-HELP

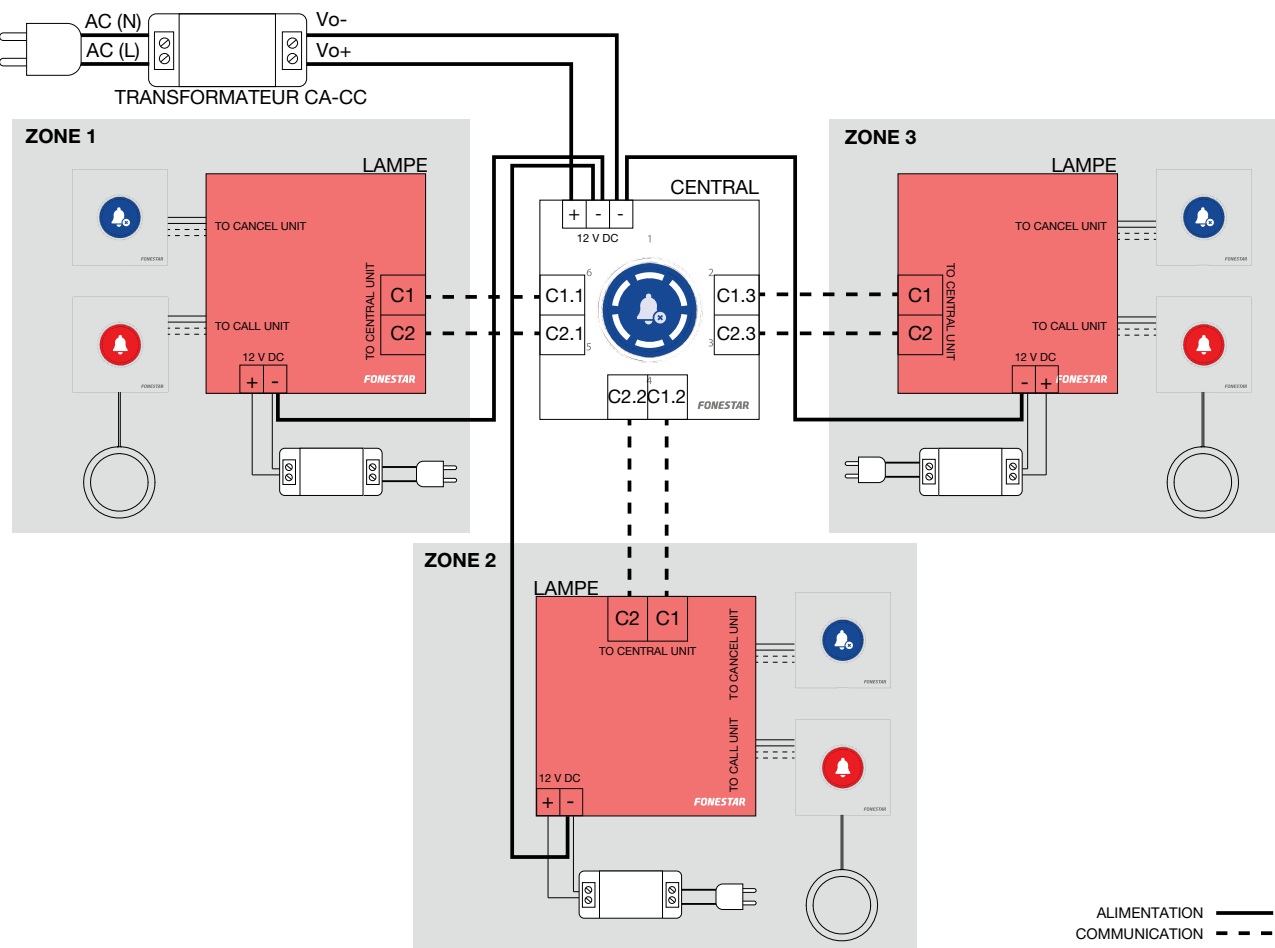
- La LAMPE sera le dispositif central, car tous les dispositifs de ce kit y seront connectés et elle distribuera l'alimentation au reste des dispositifs.
- Connectez les bornes LAMPE étiquetées TO CALL UNIT (A1, A2, + et -) aux bornes de l'APPELANTE étiquetées TO LAMP UNIT (A1, A2, + et -) respectivement.
- Connectez les bornes LAMPE étiquetées TO CALL UNIT (B1, B2, + et -) aux bornes d'annulation étiquetées TO LAMP UNIT (B1, B2, + et -) respectivement.

- Connecter les bornes +Vo et -Vo du transformateur aux bornes + et - de la LAMPE respectivement.
- Enfin, connectez le transformateur à l'alimentation en courant alternatif de 230 V CA via les bornes AC(N) (neutre) et AC(L) (ligne).



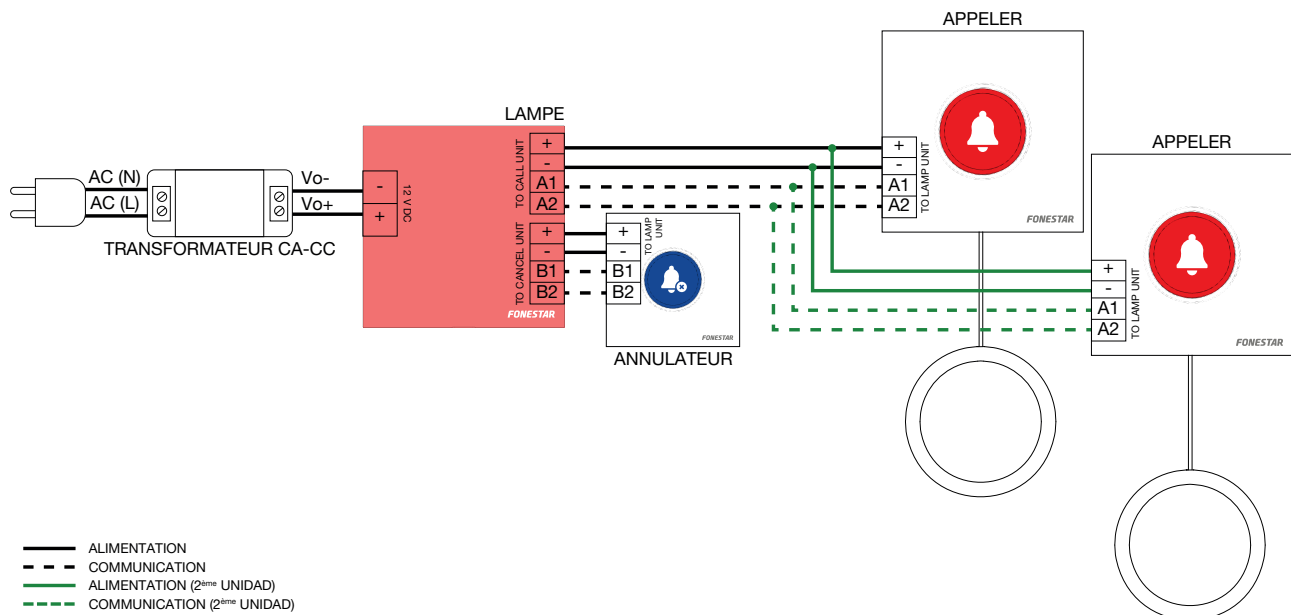
KIT CALL-HELP + CALL-CENTRAL

- Connecter les bornes LAMPE étiquetée TO CENTRAL UNIT (C1 et C2) aux bornes CENTRAL (C1.X et C2.X, où X est la zone assignée à un kit **CALL-HELP**).
- Connecter les bornes +Vo et -Vo du transformateur aux bornes + et - de la CENTRALE.
- Enfin, connectez les transformateurs à l'alimentation en courant alternatif de 230 V CA via les bornes AC(N) (neutre) et AC(L) (ligne).



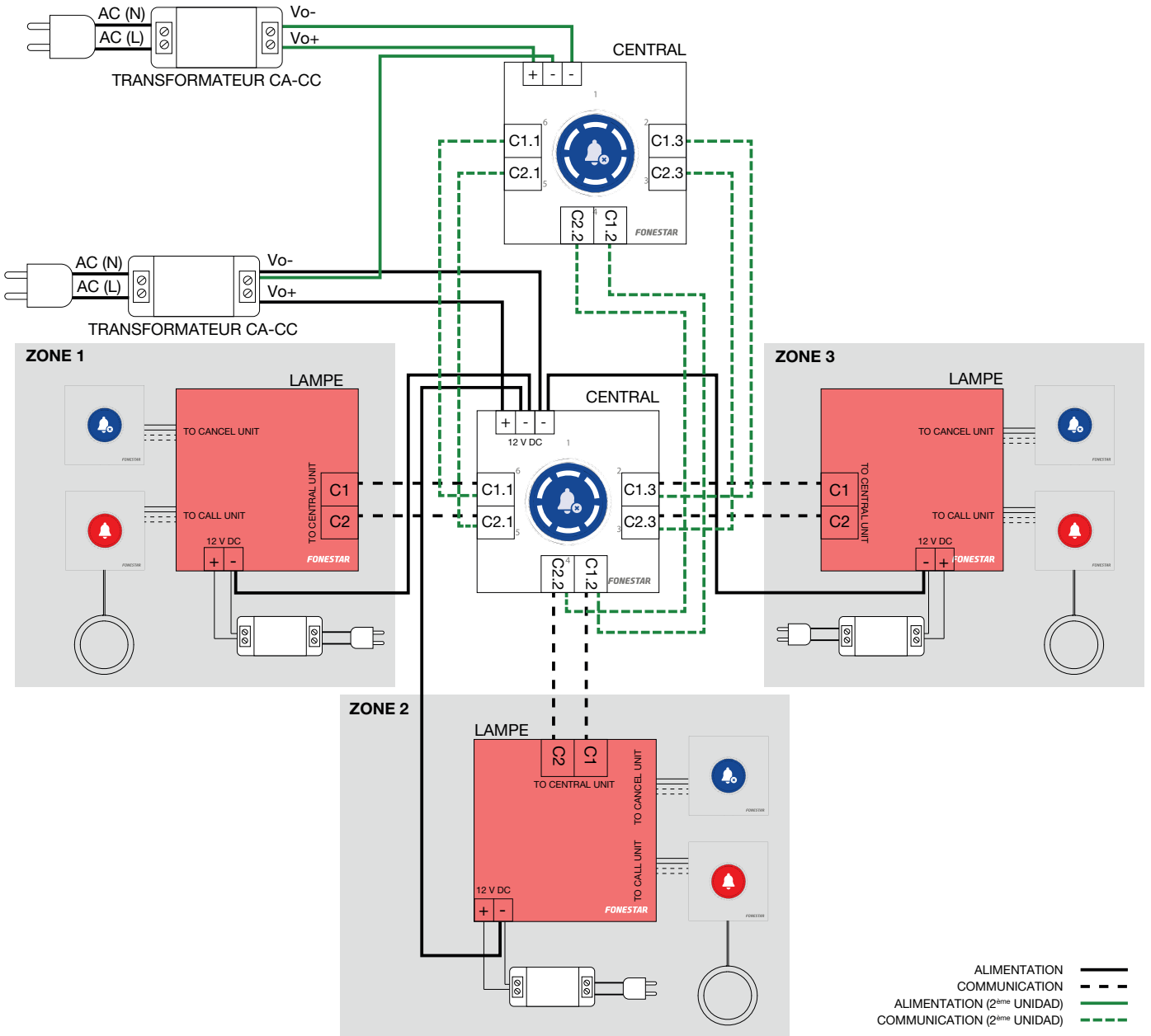
KIT CALL-HELP avec 2 APPELANTS

- Connectez les bornes LAMPE étiquetées TO CALL UNIT (A1, A2, + et -) aux bornes de l'APPELANT étiquetées TO CALL UNIT (A1, A2, + et -) respectivement.
- Connectez le second dispositif APPELER en utilisant les mêmes bornes étiquetées TO CALL UNIT (A1, A2, + et -) et connectez-les aux bornes étiquetées TO CALL UNIT (A1, A2, + et -) du premier dispositif APPELER ou aux bornes étiquetées TO LAMP UNIT (A1, A2, + et -) du premier dispositif APPELER.



2 CALL-CENTRAL

- Connecter les bornes LAMPE étiquetée TO CENTRAL UNIT (C1 et C2) aux bornes CENTRAL (C1.X et C2.X, où X est la zone assignée à un kit **CALL-HELP**).
- Connecter le deuxième dispositif CENTRAL en utilisant les mêmes bornes étiquetées TO CENTRAL UNIT (C1 et C2) et se connecter aux bornes étiquetées TO CENTRAL UNIT (C1 et C2) du premier dispositif CENTRAL ou aux bornes CENTRAL (C1.X et C2.X, où X est la zone assignée à un kit **CALL-HELP**) du premier dispositif APPELER.
- Connecter les bornes +Vo et -Vo de chaque transformateur aux bornes + et - de leurs centrales respectives.



SPÉCIFICATIONS TECHNIQUES

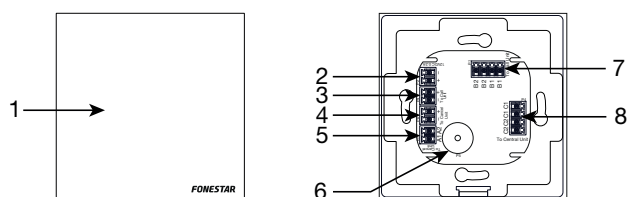
	CALL-HELP
CARACTÉRISTIQUES	<p>Kit d'appel d'assistance pour toilettes et cabines d'essayage accessibles. Certifié avec la norme CTE- DB SUA 3,1.2. Design pour une utilisation intuitive. Transmission et vérification des appels. Lampe de signalisation lumineuse et acoustique. Niveau de pression sonore du signal acoustique 85 dB. Bouton d'appel avec cordon de 1,95 m. Bouton d'annulation. Distance maximale entre la lampe et le bouton d'appel ou d'annulation : 60 m Source d'alimentation incluse. Autocollant pour salle de bain assistée. Pour boîtier standard universel carré et rond. Possibilité de connexion au centre d'appel CALL-CENTRAL.</p>
CONNECTEURS	Euroblock pour câble de 0'2 - 1'5 mm ² de section
ALIMENTATION	Adaptateur 100-240 V CA / 12 V CC, 1.250 mA inclus Consommation en standby: 0,10 W
DIMENSIONS	Extérieures : 83 x 83 x 39 mm profondeur Montage : 47 x 47 x 27 mm profondeur Distance entre vis : 60 mm Adaptateur : 31 x 32 x 76 mm profondeur
OPTIONNEL	DOT-BOX-B : boîtier pour montage en surface. CALL-CENTRAL : centre d'appel pour kit d'appel d'assistance

	CALL-CENTRAL
CARACTÉRISTIQUES	<p>Kit d'appel d'assistance pour toilettes et cabines d'essayage accessibles. Il est possible de connecter jusqu'à 6 kits d'appel d'assistance CALL-HELP. Certifié avec la norme CTE- DB SUA 3,1.2. Design pour une utilisation intuitive. Réception et vérification des appels. Signalisation lumineuse et acoustique. Niveau de pression sonore du signal acoustique 85 dB. Distancia máxima entre la central y kit de llamada : 1.000 m Source d'alimentation incluse. Pour boîtier standard universel carré et rond.</p>
CONNECTEURS	Euroblock pour câble de 0'2 - 1'5 mm ² de section
ALIMENTATION	Adaptateur 100-240 V CA / 12 V CC, 1.250 mA inclus Consommation en standby : 0,10 W
DIMENSIONS	Extérieures : 83 x 83 x 39 mm profondeur Montage : 47 x 47 x 27 mm profondeur Distance entre vis : 60 mm Adaptateur : 31 x 32 x 76 mm profondeur
OPTIONNEL	DOT-BOX-B : boîtier pour montage en surface. CALL-HELP : kit d'appel d'assistance

DESCRIÇÃO

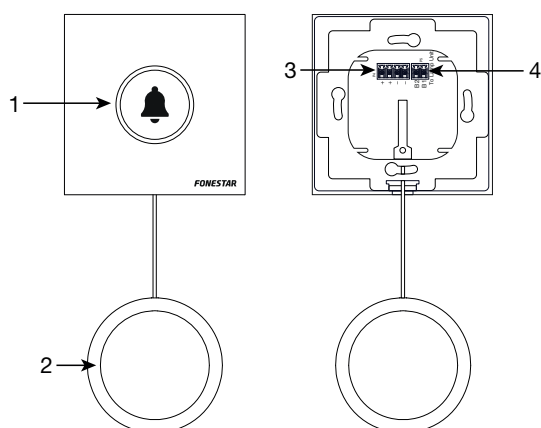
- O sistema **CALL-HELP** é composto por 3 dispositivos: botão de chamada, lâmpada e botão de cancelamento. Este kit permite equipar um sanitário ou vestiário de um sistema de assistência e, dessa forma, cumprir a norma espanhola do código técnico de edificação CTE - BD SUA 3.1.2. Esta norma é obrigatória para novas construções e remodelações de instalações de serviço público.
- Permite efetuar uma chamada de assistência a partir do interior da divisão (quarto, provadores, quartos de banho, etc.). A chamada será recebida no exterior através de sinalização sonora e luminosa, avisando da necessidade de assistência. Por último, ao efetuar a assistência deve-se cancelar o aviso a partir do dispositivo de cancelamento.
- Adicionalmente, a FONESTAR desenhou um dispositivo **CALL-CENTRAL** que permite controlar as chamadas de assistência de até 6 kits **CALL-HELP**. Quando é feita uma chamada de assistência, este dispositivo irá receber a informação, através de sinalização sonora e luminosa, sobre qual a zona que está a pedir assistência.

CONTROLOS E FUNÇÕES CALL-HELP - LÂMPADA



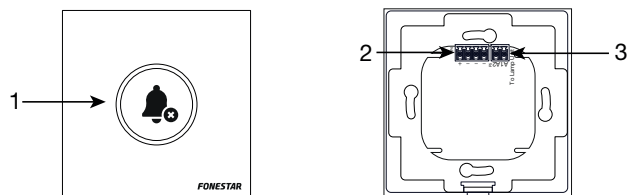
- 1.- Indicador luminoso de chamada de assistência ativa.
- 2.- **12 V DC 0.2 A, +/-**: pinos de ligação para alimentação através do transformador fornecido. Conetor euroblock.
- 3.- **To Call Unit, +/-**: pinos de ligação para alimentação do dispositivo BOTÃO DE CHAMADA. Conetor euroblock.
- 4.- **To Call Unit, +/-**: pinos de ligação para alimentação do dispositivo BOTÃO DE CANCELAMENTO. Conetor euroblock.
- 5.- **To Call Unit, A1/A2**: pinos de comunicação com o dispositivo BOTÃO DE CANCELAMENTO. Conetor euroblock.
- 6.- Campanha.
- 7.- **To Call Unit, B1/B2**: pinos de comunicação com o dispositivo BOTÃO DE CHAMADA. Conetor euroblock.
- 8.- **To Central Unit, C1/C2**: pinos de comunicação com o dispositivo CENTRAL **CALL-CENTRAL**. Conetor euroblock.

CALL-HELP - BOTÃO DE CHAMADA



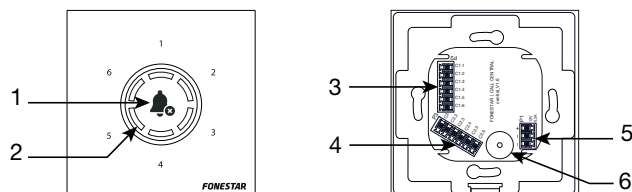
- 1.- Botão para ativar a chamada de assistência.
- 2.- Cordão para ativar a chamada de assistência.
- 3.- **To Lamp Unit, +/-**: pinos de ligação para alimentação do dispositivo LÂMPADA. Conetor euroblock.
- 4.- **To Lamp Unit, B1/B2**: pinos de comunicação com o dispositivo LÂMPADA. Conetor euroblock.

CALL-HELP - BOTÃO DE CANCELAMENTO



- 1.- Botão para cancelar a chamada de assistência ativa associada a esse botão.
- 2.- **To Lamp Unit, +/-**: pinos de ligação para alimentação do dispositivo LÂMPADA. Conetor euroblock.
- 3.- **To Lamp Unit, A1/A2**: pinos de comunicação com o dispositivo LÂMPADA. Conetor euroblock.

CALL-CENTRAL - CENTRAL



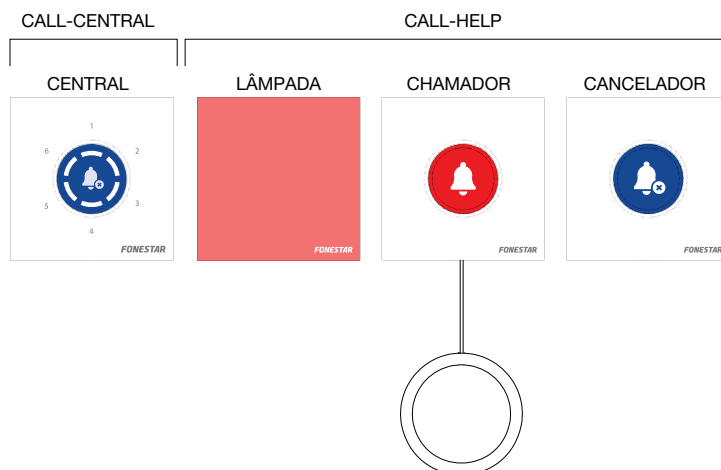
- 1.- Botão para silenciar o aviso temporariamente e indicar que a assistência está a caminho.
- 2.- Indicador luminoso da zona ou zonas com chamadas de assistência ativas.
- 3.- **C1.1-6**: pinos de comunicação com os dispositivos LÂMPADA de cada zona através dos seus pinos C1. Conetor euroblock.
- 4.- **C2.1-6**: pinos de comunicação com os dispositivos LÂMPADA de cada zona através dos seus pinos C2. Conetor euroblock.
- 5.- **12 V 0.2 A, +/-**: pinos de ligação para alimentação através do transformador fornecido. Conetor euroblock.
- 6.- Campainha.

FUNCIONAMENTO

O kit **CALL-HELP**, composto por 3 dispositivos, permite criar um sistema completo de aviso onde a lâmpada será a unidade central do sistema e os outros 2 elementos permitem gerar e cancelar a chamada. Adicionalmente, será possível ligar uma segunda unidade de chamada da mesma forma que se liga a primeira.

E se utilizar mais do que um kit **CALL-HELP**, poderá adicionar 1 ou 2 unidades **CALL-CENTRAL** que irão permitir centralizar o estado de até 6 kits **CALL-HELP** em simultâneo.

NOTA: o dispositivo BOTÃO DE CANCELAMENTO deve ser colocado no mesmo sítio do dispositivo BOTÃO DE CHAMADA, mas suficientemente afastado dele para evitar cancelamentos de avisos por engano.



Funcionamento de 1 kit CALL-HELP

- 1.- A chamada de assistência é iniciada pressionando o botão ou puxando o cordão do dispositivo de CHAMADA.
- 2.- Quando a chamada está ativa é gerado um aviso sonoro e visual no dispositivo LÂMPADA.
- 3.- O profissional que prestar assistência deverá pressionar o botão do dispositivo de CANCELAMENTO para parar os avisos sonoro e visual.

Funcionamento de CALL-CENTRAL e vários kits CALL-HELP (1 chamada ativa)

- 1.- A chamada de assistência é iniciada pressionando o botão ou puxando o cordão do dispositivo de CHAMADA numa das zonas.
- 2.- Quando a chamada está ativa são gerados avisos sonoros e visuais nos dispositivos LÂMPADA e CENTRAL. Este último usará o indicador luminoso para identificar qual a zona que está a pedir assistência.
- 3.- (Opcional) Se pressionar no botão do dispositivo CENTRAL, irá silenciar o aviso sonoro na central, enquanto o aviso sonoro no dispositivo LÂMPADA será emitido num ritmo mais lento, indicando a quem solicita a assistência que a ajuda está a caminho.

NOTA: se a chamada não for cancelada no dispositivo de CANCELAMENTO da zona correspondente após 3 minutos, o aviso irá reiniciar gerando os avisos sonoros e visuais do primeiro ponto.

- 4.- O profissional que prestar assistência deverá pressionar o botão do dispositivo de CANCELAMENTO para parar os avisos sonoro e visual.

Funcionamento de CALL-CENTRAL e vários kits CALL-HELP (várias chamadas ativas)

- 1.- A chamada de assistência é iniciada pressionando o botão ou puxando o cordão do dispositivo de CHAMADA. Neste caso, existem várias zonas com chamadas ativas ao mesmo tempo.
- 2.- Quando a chamada está ativa são gerados avisos sonoros e visuais nos dispositivos LÂMPADA e CENTRAL. Este último usará o indicador luminoso para identificar qual a zona que está a pedir assistência.
- 3.- (Opcional) Se pressionar no botão do dispositivo CENTRAL, irá silenciar o aviso sonoro na central, enquanto o aviso sonoro no dispositivo LÂMPADA será emitido num ritmo mais lento, indicando a quem solicita a assistência que a ajuda está a caminho.

NOTA: se a chamada não for cancelada no dispositivo de CANCELAMENTO da zona correspondente após 3 minutos, o aviso irá reiniciar gerando os alarmes sonoros e visuais do primeiro ponto.

NOTA: se existirem mais dispositivos CENTRAL na instalação, todos irão funcionar da mesma forma. As interações num deles irão afetar os restantes dispositivos CENTRAL da instalação.

- 4.- O profissional que prestar assistência deverá pressionar o botão do dispositivo de CANCELAMENTO para parar os avisos sonoro e visual. Mas os restantes avisos ativos serão reiniciados, gerando novamente os alarmes sonoros e visuais do passo 2.
- 5.- De seguida, deverão ser socorridos os avisos como indicado nos passos 3 (opcional) e 4 até não haver mais chamadas de assistência ativas.

INSTALAÇÃO E LIGAÇÃO

CABOS

CABOS DE ALIMENTAÇÃO

IMPORTANTE

- Prestar especial atenção ao ligar a polaridade da fonte de alimentação, uma vez que uma ligação cruzada de + para - ou vice-versa tornará o dispositivo inutilizável
- O pino negativo (-) da alimentação deve ser interligado entre os diferentes dispositivos CENTRAL e LÂMPADA

Tanto os dispositivos do kit **CALL-HELP** como **CALL-CENTRAL** requerem alimentação com o transformador fornecido com cada um deles. No caso do kit **CALL-HELP** o dispositivo LÂMPADA será ligado diretamente ao transformador para distribuir a alimentação pelos restantes dispositivos do seu kit através dos pinos + e -. Tenha em consideração a polaridade indicada em cada dispositivo.

NOTA: o kit **CALL-HELP** pode ser utilizado com 2 unidades de dispositivo de CHAMADA. Será alimentado através dos pinos + e - do primeiro dispositivo de CHAMADA ou de LÂMPADA.

NOTA: é possível utilizar 2 unidades **CALL-CENTRAL** para controlar as mesmas zonas. Serão alimentadas através do seu próprio transformador.

- O transformador é ligado pelas portas AC(N) (neutro) e AC(L) (linha) à corrente elétrica 230 V CA.
- Na outra extremidade do transformador, portas +Vo e -Vo, iremos ligar os dispositivos LÂMPADA ou CENTRAL nos respetivos terminais + e -.

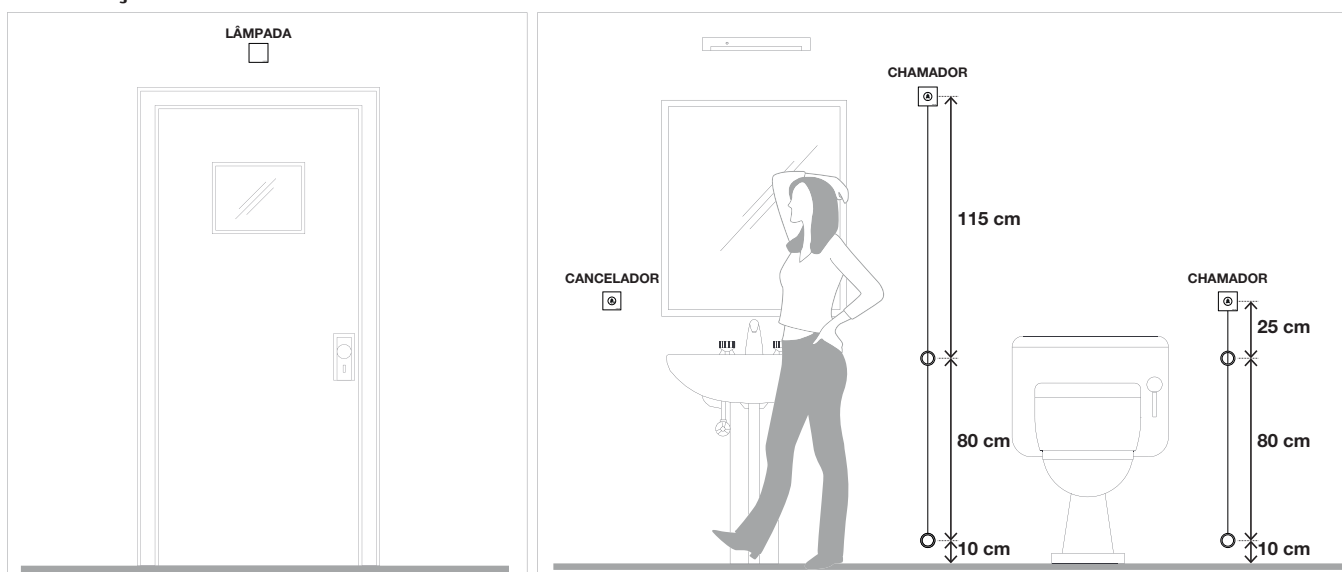
CABOS DE COMUNICAÇÃO ENTRE DISPOSITIVOS

- Comprimento máximo do cabo:
 - Entre CENTRAL e LÂMPADA: 1.000 metros máximo.
 - Entre LÂMPADA y dispositivo de CANCELAMENTO/CHAMADA: 20 metros máximo.
- É recomendado o cabo de tipo 4 x 0,5 mm².

NOTA: o kit **CALL-HELP** pode ser utilizado com 2 unidades de dispositivo de CHAMADA. Irá comunicar através dos pinos B1 e B2 do primeiro dispositivo de CHAMADA ou de LÂMPADA.

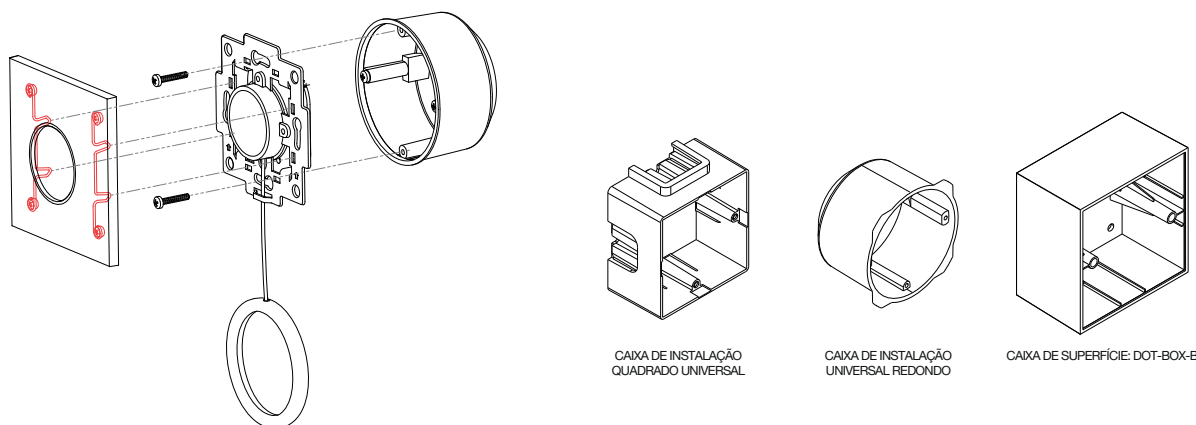
NOTA: é possível utilizar 2 unidades **CALL-CENTRAL** para controlar as mesmas zonas. Irá comunicar através dos pinos C do primeiro dispositivo CENTRAL ou duplicando os cabos com os dispositivos LÂMPADA de cada zona.

INSTALAÇÃO



EM PAREDE

- Todos os dispositivos foram desenhados para instalação em caixas de embutir universais, quadradas ou redondas, ou em caixa de superfície de FONESTAR modelo **DOT-BOX-B**.
- É recomendado instalar:
 - os dispositivos de CHAMADA e CANCELAMENTO entre 1,5 a 2,2 m do chão. Adicionalmente, o dispositivo BOTÃO DE CANCELAMENTO deve ser colocado no mesmo sítio do dispositivo de CHAMADA, mas suficientemente afastado dele para evitar cancelamentos de avisos por engano.
 - LÂMPADA e CENTRAL devem ser colocados num local visível.
- Para instalar os dispositivos na parede:
 - Coloque os conetores euroblock nos cabos na polaridade indicada na imagem.
 - Puxe o painel frontal para o separar da placa metálica de instalação.
 - Fixe a placa metálica de instalação sobre a caixa instalada na parede usando os parafusos da mesma.
 - Coloque novamente o painel frontal na posição adequada, o logo no canto inferior direito e pressione para fazer coincidir os ganchos metálicos da tampa com os orifícios da placa metálica de instalação.



INSTALAR AS ARGOLAS DO PUXADOR DO DISPOSITIVO DE CHAMADA

A norma dita que devem ser colocados 2 puxadores a alturas diferentes. O puxador inferior deve ficar a 10 cm do chão, segundo a norma. Para o puxador na posição mais alta, recomendamos colocar a 90 cm do chão.

Dependendo do local onde for instalado o dispositivo na parede, deverá colocar as argolas numa posição ou noutra do cabo. Para tal, coloque a argola 1 na parte mais alta do cabo, dê um nó firme na posição desejada e depois faça deslizar a argola para essa posição. De seguida, deslize a argola 2 até à argola 1 e dê um nó firme no cabo para que a argola 2 fique a 10 cm do chão. Por último, corte o cabo que sobrar e queime a ponta para evitar desfiar.

LIGAÇÃO

IMPORTANTE:

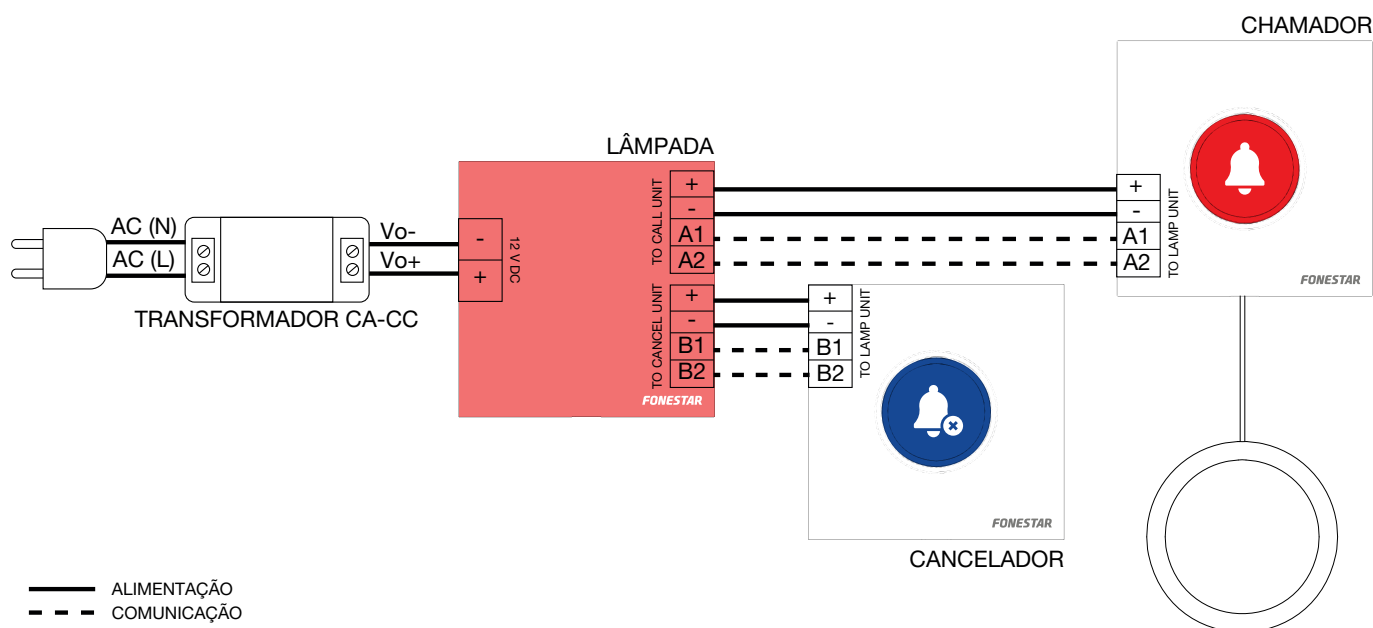
- Todos os dispositivos LÂMPADA e CENTRAL do sistema devem estar ligados ao mesmo terra.
- Utilize os conetores euroblock laranja para os terminais de alimentação e os verdes para comunicação.
- Antes de ligar o sistema à corrente elétrica, confirme que todos os dispositivos têm a polaridade de alimentação ligada corretamente.

KIT CALL-HELP

- A LÂMPADA será o dispositivo central ao qual serão ligados todos os dispositivos deste kit e ela é que irá distribuir alimentação aos restantes dispositivos.
- Ligue os terminais LÂMPADA denominados TO CALL UNIT (A1, A2, + e -) aos terminais do dispositivo de CHAMADA denominados TO LAMP UNIT (A1, A2, + e -) respetivamente.
- Ligue os terminais LÂMPADA denominados TO CALL UNIT (B1, B2, + e -) aos terminais do dispositivo

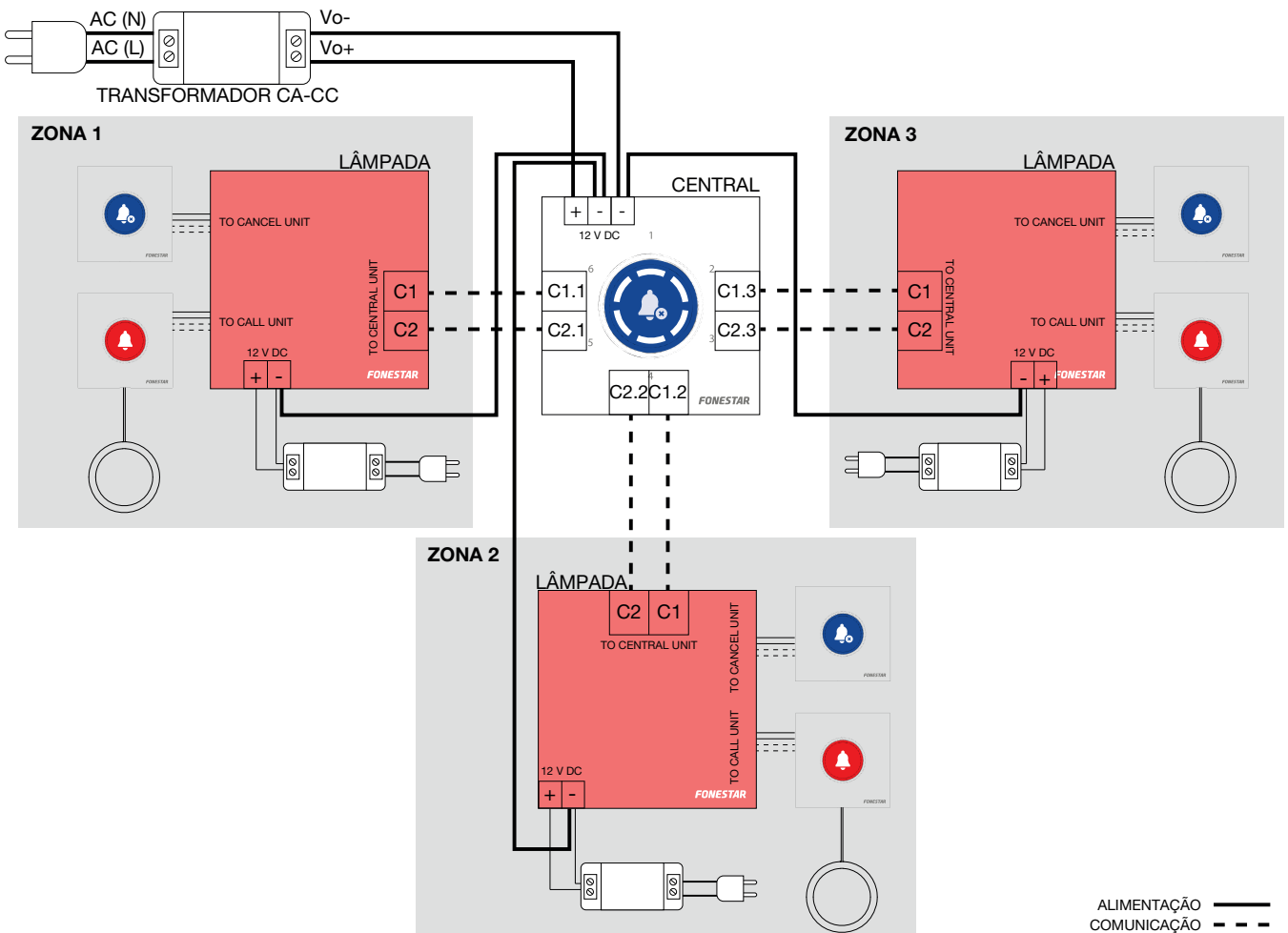
de CANCELAMENTO denominados TO LAMP UNIT (B1, B2, + e -) respetivamente.

- Ligue os terminais +Vo e -Vo do transformador aos terminais + e - da LÂMPADA respetivamente.
- Por último, ligue o transformador à corrente elétrica 230 V CA através dos terminais AC(N) (neutro) e AC(L) (linha).



KIT CALL-HELP + CALL-CENTRAL

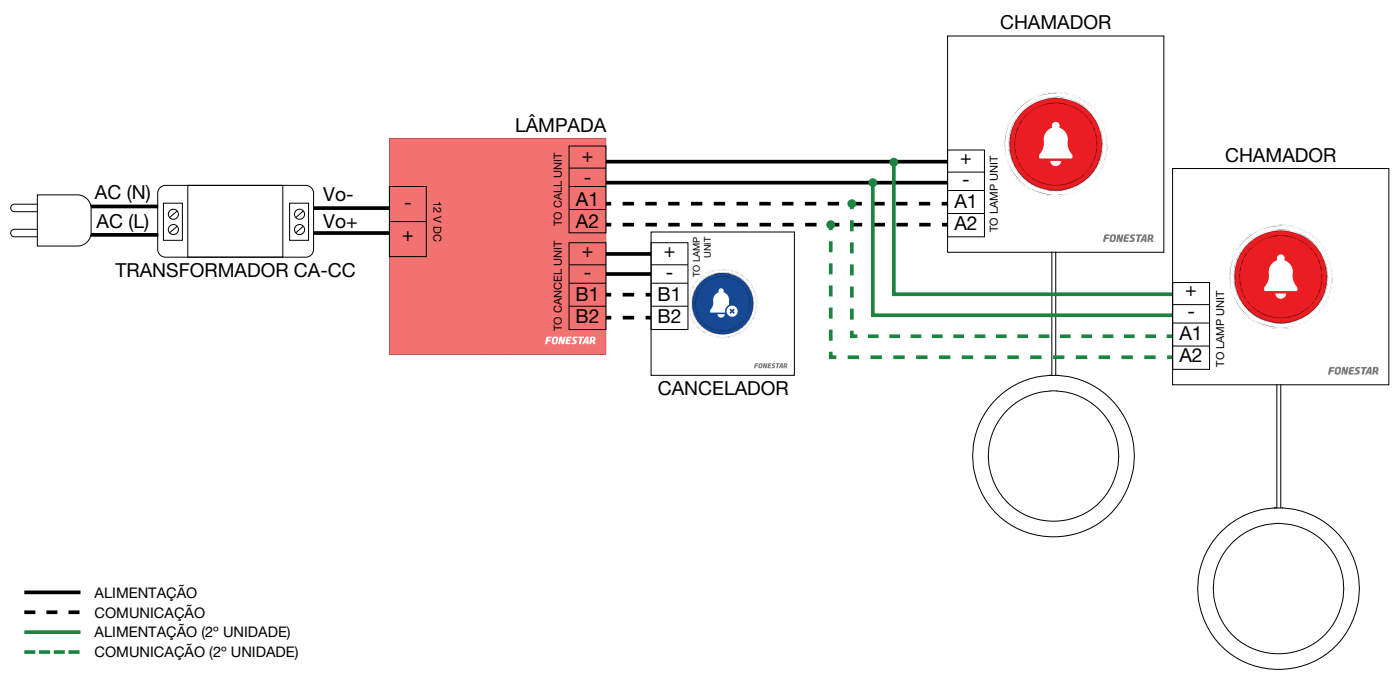
- Ligue os terminais LÂMPADA denominados TO CENTRAL UNIT (C1 e C2) aos terminais de CENTRAL (C1.X e C2.X, onde X é a zona atribuída a um kit **CALL-HELP**).
- Ligue os terminais +Vo e -Vo do transformador aos terminais + e - da CENTRAL.
- Por último, ligue os transformadores à corrente elétrica 230 V CA através dos terminais AC(N) (neutro) e AC(L) (linha).



ALIMENTAÇÃO ———
 COMUNICAÇÃO - - -

KIT CALL-HELP com 2 BOTÕES DE CHAMADA

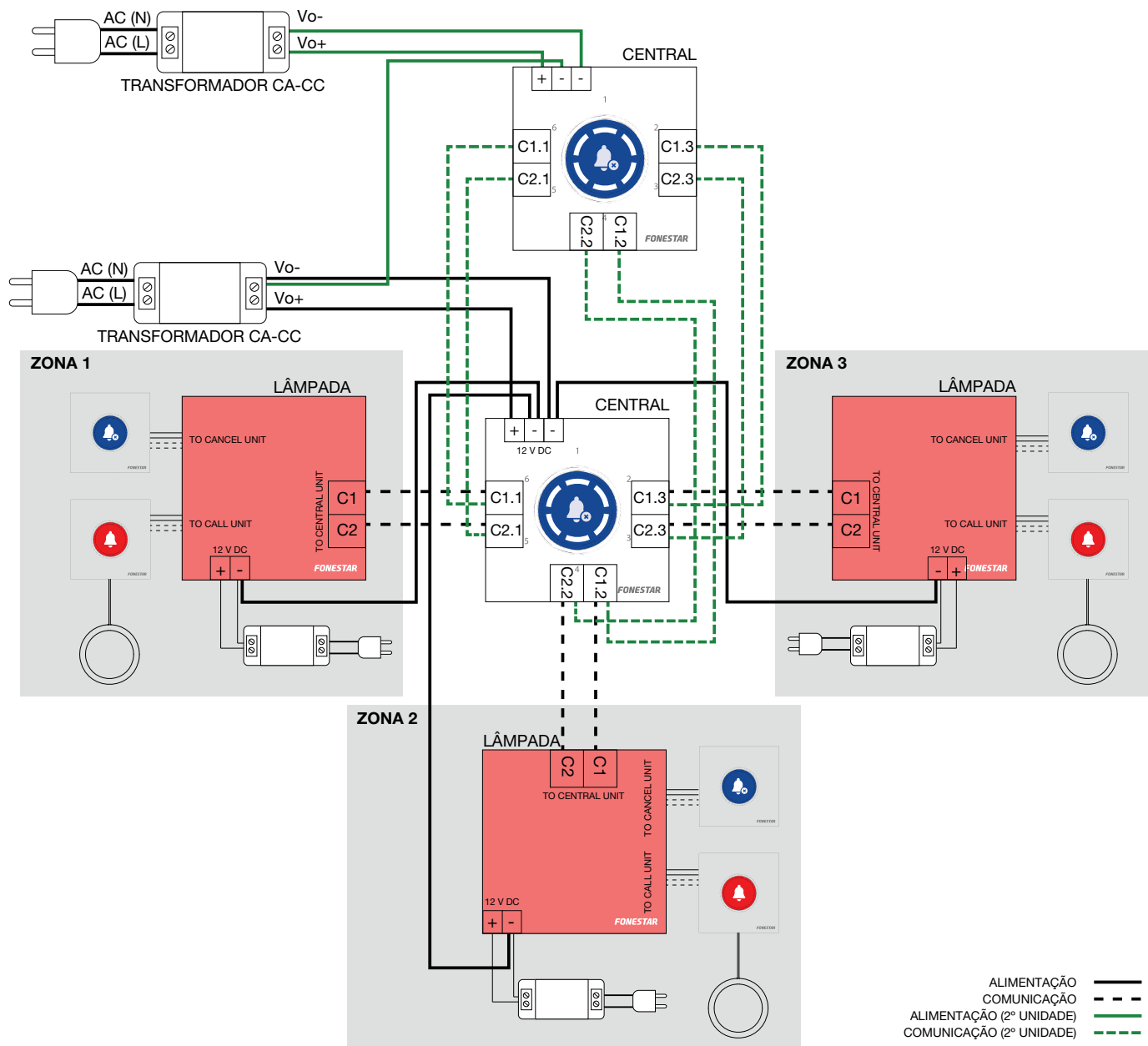
- Ligue os terminais LÂMPADA denominados TO CALL UNIT (A1, A2, + e -) aos terminais do dispositivo de CHAMADA denominados TO LAMP UNIT (A1, A2, + e -) respetivamente.
- Ligue o segundo dispositivo de CHAMADA utilizando os mesmos terminais denominados TO CALL UNIT (A1, A2, + e -) e ligue-se aos terminais denominados TO CALL UNIT (A1, A2, + e -) do primeiro dispositivo de CHAMADA ou aos terminais TO LAMP UNIT (A1, A2, + e -) do primeiro dispositivo de CHAMADA.



— ALIMENTAÇÃO
 - - COMUNICAÇÃO
 — ALIMENTAÇÃO (2ª UNIDADE)
 - - COMUNICAÇÃO (2ª UNIDADE)

2 CALL-CENTRAL

- Ligue os terminais LÂMPADA denominados TO CENTRAL UNIT (C1 e C2) aos terminais de CENTRAL (C1.X e C2.X, onde X é a zona atribuída a um kit **CALL-HELP**).
- Ligue o segundo dispositivo CENTRAL utilizando os mesmos terminais denominados TO CENTRAL UNIT (C1 e C2) e ligue-se aos terminais denominados TO CENTRAL UNIT (C1 e C2) do primeiro dispositivo CENTRAL ou aos terminais CENTRAL (C1.X e C2.X, onde X é a zona atribuída a um kit **CALL-HELP**) do primeiro dispositivo de CHAMADA.
- Ligue os terminais +Vo e -Vo de cada transformador aos terminais + e - aos seus respectivos dispositivos CENTRAL.



ESPECIFICAÇÕES TÉCNICAS

	CALL-HELP
CARACTERÍSTICAS	<p>Kit de chamada de assistência para sanitários acessíveis e cabines de vestiários acessíveis.</p> <p>Em conformidade com a norma CTE - DB SUA 3.1.2.</p> <p>Design para uso intuitivo.</p> <p>Transmissão e verificação da chamada.</p> <p>Lâmpada de sinalização luminosa e sonora.</p> <p>Nível de pressão sonora de sinal acústico 85 dB.</p> <p>Botão de chamada com cordão de 1,95 m.</p> <p>Botão de cancelamento.</p> <p>Distância máxima entre a lâmpada e botão de chamada ou cancelamento: 60 m</p> <p>Fonte de alimentação incluída.</p> <p>Autocolante sinalética de WC adaptado</p> <p>Para caixa standard universal quadrada e redonda.</p> <p>Possibilidade de ligação à central de chamadas CALL-CENTRAL.</p>
CONETORES	Euroblock para cabo de 0,2 - 1,5 mm ² de secção
ALIMENTAÇÃO	<p>Adaptador 100-240 V CA / 12 V CC, 1.250 mA incluído</p> <p>Consumo em standby: 0,10 W</p>
MEDIDAS	<p>Exteriores: 83 x 83 x 39 mm de profundidade</p> <p>Montagem: 47 x 47 x 27 mm de profundidade</p> <p>Distância entre parafusos: 60 mm</p> <p>Adaptador: 31 x 32 x 76 mm de profundidade</p>
OPCIONAL	<p>DOT-BOX-B: caixa para montagem em superfície</p> <p>CALL-CENTRAL: central de chamadas para Kit de chamada de assistência</p>

	CALL-CENTRAL
CARACTERÍSTICAS	<p>Central de chamadas de assistência para sanitários acessíveis ou cabines de vestiários acessíveis.</p> <p>É possível ligar até 6 kits de chamada de assistência CALL-HELP.</p> <p>Em conformidade com a norma CTE - DB SUA 3.1.2.</p> <p>Design para uso intuitivo.</p> <p>Receção e verificação da chamada.</p> <p>Sinalização luminosa e sonora.</p> <p>Nível de pressão sonora de sinal acústico 85 dB.</p> <p>Distância máxima entre a central e kit de chamada: 1.000 m</p> <p>Fonte de alimentação incluída.</p> <p>Para caixa standard universal quadrada e redonda.</p>
CONETORES	Euroblock para cabo de 0,2 - 1,5 mm ² de secção
ALIMENTAÇÃO	<p>Adaptador 100-240 V CA / 12 V CC, 1.250 mA incluído</p> <p>Consumo em standby: 0,10 W</p>
MEDIDAS	<p>Exteriores: 83 x 83 x 39 mm de profundidade</p> <p>Montagem: 47 x 47 x 27 mm de profundidade</p> <p>Distância entre parafusos: 60 mm</p> <p>Adaptador: 31 x 32 x 76 mm de profundidade</p>
OPCIONAL	<p>DOT-BOX-B: caixa para montagem em superfície</p> <p>CALL-HELP: kit de chamadas de assistência</p>

www.fonestar.com